

# Table of Contents

## SECTION 2 ♦ WATER DISTRIBUTION SYSTEM

	<u>Page No.</u>
<b>PART 1 GENERAL</b> .....	<b>1</b>
1.01 Section Includes.....	1
1.02 Design Criteria and Permitting.....	1
1.03 References.....	1
1.04 Submittals.....	3
1.05 Delivery, Storage, and Handling.....	4
1.06 Quality Assurance.....	4
1.07 Warranty.....	4
<b>PART 2 ALLOWABLE PRODUCTS AND MATERIALS</b> .....	<b>4</b>
2.01 General.....	4
2.02 Ductile Iron Pipe.....	5
2.03 Polyvinyl Chloride (PVC) Pressure Pipe.....	6
2.04 Copper Pipe and Tubing.....	7
2.05 Polyethylene Tubing.....	7
2.06 Encasement Pipe.....	7
2.07 Tapping Sleeve.....	8
2.08 Valves.....	8
2.09 Air Valves.....	9
2.10 Manholes.....	10
2.11 Castings.....	11
2.12 Valve Accessories.....	11
2.13 Service Valves and Fittings.....	12
2.14 Fire Hydrants.....	13
2.15 Backflow Prevention Assembly.....	13
2.16 Backflow Preventer Enclosures.....	16
2.17 Meters.....	17
2.18 Thrust Blocking.....	18
2.19 Disinfectant.....	18

# Table of Contents Cont'd

## SECTION 2 ♦ WATER DISTRIBUTION SYSTEM

	<u>Page No.</u>
<b>PART 3 EXECUTION / INSTALLATION.....</b>	<b>18</b>
3.01 Pipe and Accessories.....	18
3.02 Relation of Water Mains to Sewers .....	25
3.03 Water Service.....	25
3.04 Ductile Iron Pipe.....	26
3.05 PVC Pressure Pipe .....	26
3.06 Valves and Fittings.....	26
3.07 Air Valves.....	27
3.08 Encasement and Carrier Pipe.....	27
3.09 Manholes .....	27
3.10 Meters .....	28
3.11 Hydrant .....	28
3.12 Pavement Patching .....	28
3.13 Grading and Clean Up.....	29
3.14 Backflow Prevention Testing .....	29
3.15 Pressure Testing .....	29
3.16 Disinfection.....	30
3.17 Bacteriological Testing .....	31
3.18 Valve Operation .....	32
3.19 "As-Constructed" Drawings .....	33



## SECTION 2

### WATER DISTRIBUTION SYSTEM

#### PART 1 GENERAL

##### 1.01 SECTION INCLUDES

- A. Work under this section includes, but is not limited to piping, valves, fire hydrants, water service line, and appurtenances for a complete potable water distribution system.

##### 1.02 DESIGN CRITERIA AND PERMITTING

- A. The design of all public water system improvements, that are to become a part of the City of Claremont's water distribution system, shall be in accordance with Title 15A Subchapter 18C of the North Carolina Administrative Code and the rules and policies of practice of the N.C. Department of Environmental Quality's Public Water Supply Section. These rules and policies are consolidated in the publication "Engineering, Planning and Development Guidance Document".
- B. Engineer/Developer shall prepare and submit all applicable permit applications required by federal, state and local authority. Engineer shall be a licensed NC Professional Engineer. All fees are the responsibility of the Developer.
- C. Water lines shall be installed in street rights-of-way or permanent easements. Minimum easement width shall be 20 feet with water line centered within the easement.
- D. Main line valves shall have the following maximum spacing:

<u>Main Size</u>	<u>Maximum Spacing</u>
2-inches	400 feet
4-inches	500 feet
6-inches	600 feet
8-inches	800 feet
12-inches	1,200 feet
16-inches	1,600 feet

- E. Air valves shall be located at all high points along the water lines and at a spacing of approximately 2,500 feet on horizontal pipelines. Final locations to be approved by the City.

##### 1.03 REFERENCES

- A. Publications are referred to in the text by basic designation only.
- American Society of Sanitary Engineering (ASSE) Standards
    - 1013 Reduced Pressure Principle Backflow Preventers
    - 1015 Double Check Backflow Prevention Assembly
    - 1069 Outdoor Enclosures for Backflow Prevention Assemblies

2. American Society for Testing and Materials (ASTM)
  - a. A48 Standard Specification for Gray Iron Castings
  - b. A536 Standard Specification for Ductile Iron Castings
  - c. B88 Standard Specification for Seamless Copper Water Tube
  - d. C443 Flexible Watertight Joints for Precast Manhole Sections
  - e. C478 Precast Reinforced Concrete Manhole Sections
  - f. C890 Minimum Structural Design Loading for Monolithic or Sectional Precast Concrete Water and Wastewater Structures
  - g. C923 Resilient Connectors Between Reinforced Concrete Manhole Structures, Pipes and Laterals
  - h. D98 Standard Specification for Calcium Chloride
  - i. D1586 Standard Test Method for Standard Penetration Test (SPT) and Split-Barrel Sampling of Soils
  - j. D1784 Rigid Poly(Vinyl Chloride) (PVC) Compounds and Chlorinated Poly(Vinyl Chloride) (CPVC) Compounds
  - k. D1785 Poly(Vinyl Chloride) (PVC) Plastic Pipe, Schedules 40, 80, and 120
  - l. D2241 Poly(Vinyl Chloride) (PVC) Pressure Rated Pipe (SDR Series)
  - m. D2466 Socket-Type Poly(Vinyl Chloride) (PVC) Plastic Pipe Fittings, Schedule 40
  - n. D2467 Socket-Type Poly(Vinyl Chloride) (PVC) Plastic Pipe Fittings, Schedule 80
  - o. D3139 Joints for Plastic Pressure Pipes Using Flexible Elastomeric Seals
  - p. D3350 Polyethylene Plastics Pipe and Fittings Materials
  - q. F477 Elastomeric Seals (Gaskets) for Joining Plastic Pipe
3. American Water Works Association (AWWA)
  - a. B300 Hypochlorites
  - b. B301 Liquid Chlorine
  - c. C104 Cement-Mortar Lining for Ductile-Iron Pipe and Fittings for Water
  - d. C110 Ductile-Iron and Gray-Iron Fittings, 3 inch through 48 inch, for Water and Other Liquids
  - e. C111 Rubber Gasket Joints for Ductile Iron Pressure Pipe & Fittings
  - f. C115 Flanged Ductile-Iron Pipe with Threaded Flanges
  - g. C150 Thickness Design of Ductile Iron Pipe
  - h. C151 Ductile-Iron Pipe, Centrifugally Cast in Metal Molds or Sand-Lined Molds, for Water or Other Liquids
  - i. C153 Ductile-Iron Compact Fittings, 3 inch through 16 inch, for Water and Other Liquids
  - j. C502 Dry-Barrel Fire Hydrants
  - k. C504 Rubber-Seated Butterfly Valves

- l. C508 Swing-Check Valves for Waterworks Service, 2 inch Through 24 inch NPS
  - m. C509 Resilient-Seated Gate Valves for Water Supply Service
  - n. C510 Double Check Valve Backflow-Prevention Assembly
  - o. C511 Reduced-Pressure Principle Backflow-Prevention Assembly
  - p. C512 Air-Release, Air / Vacuum, and Combination Air Valves for Waterworks Service
  - q. C515 Reduced-Wall, Resilient-Seated Gate Valves for Water Supply Service
  - r. C550 Protective Epoxy Interior Coatings for Valves and Hydrants
  - s. C600 Standard for Installation of Ductile Iron Water Mains and Their Appurtenances
  - t. C605 Underground Installation of Polyvinyl Chloride (PVC) Pressure Pipe and Fittings for Water
  - u. C651 Disinfecting Water Mains
  - v. C700 Cold Water Meters-Displacement Type, Bronze Main Case
  - w. C701 Cold Water Meters-Turbine Type, For Customer Service
  - x. C702 Cold Water Meters-Compound Type
  - y. C800 Underground Service Line Valves and Fittings
  - z. C900 Polyvinyl Chloride (PVC) Pressure Pipe and Fabricated Fittings, 4 inch through 12 inch, for Water Distribution
  - aa. C901 Polyethylene (PE) Pressure Pipe and Tubing, 1/2 inch through 3 inch for Water Service
  - bb. C905 Polyvinyl Chloride (PVC) Water Transmission Pipe, 14 inch through 36 inch, for Water Distribution
  - cc. C909
  - dd. M23 PVC Pipe - Design Installation
4. National Sanitation Foundation (NSF) Standards
- a. 14 Plastic Piping Components and Related Materials
  - b. 60 Drinking Water Treatment Chemicals – Health Effects
  - c. 61 Drinking Water System Components - Health Effects
  - d. 372 Drinking Water System Components – Lead Content

#### 1.04 SUBMITTALS

- A. Submit the following to the City of Claremont and obtain approval from the City's Public Works Department prior to beginning work or as noted:
  - 1. Affidavit of Compliance: Affidavit shall attest that supplied products conform to the referenced standard and this specification and that tests set forth in each applicable referenced publication have been performed and that test requirements have been met. Affidavits shall be provided for all pipe, fittings, valves, fire hydrants, service valves and fittings, pre-cast structures, encasement pipe and other items as requested by the City.

2. Catalog Data: Submit manufacturer's standard drawings or catalog cuts for all pipe, fittings, valve fire hydrants, service valves and fittings, casting, tapping sleeves, valve boxes, fire hydrants, backflow prevention assemblies and other items as requested by the City.
3. Reports: Submit the following reports in booklet format following completion of work and prior to putting lines into service:
  - a. Field test report for each section of pipe for the following:
    - 1) Measured chlorine residual
    - 2) Bacteriological test
    - 3) Pressure test
  - b. Field test report for each backflow prevention device.
  - c. Other reports as requested by the City.
4. Operation and Maintenance Instructions: Submit manufacturer's complete operation and maintenance manuals for the following:
  - a. Valves
  - b. Fire hydrants
  - c. Backflow prevention assembly
  - d. Other items as requested by the City

#### **1.05 DELIVERY, STORAGE, AND HANDLING**

- A. All materials and equipment shall be handled and stored in accordance with the manufacturer's recommendations.

#### **1.06 QUALITY ASSURANCE**

- A. All parts and materials incorporated into a project shall be new and unused.
- B. Contractors must be licensed by the N.C. Licensing Board for General Contractors and have a classification and a cost limitation appropriate for the work to be performed.

#### **1.07 WARRANTY**

- A. Line Work
  1. Unless otherwise required, all materials and workmanship shall have a one-year warranty from the date of final acceptance by the City. A warranty inspection will be made jointly by the City and Contractor/Developer approximately eleven (11) months after acceptance to identify needed repairs. All labor, equipment and materials needed to make these repairs, or any other repairs required during the warranty period, shall be the responsibility of the Contractor.

### **PART 2 ALLOWABLE PRODUCTS AND MATERIALS**

#### **2.01 GENERAL**

- A. Products with surfaces intended to be in contact with the drinking water shall be certified and listed in accordance with NSF 61 for potable drinking water.

- B. Any pipe, fitting or fixture (e.g., corp stops, curb valves, gate valves less than 2-inches in diameter, backflow prevention devices, water meters, hose bibs, etc.), solder and flux installed or requiring replacement as of January 4, 2014 must be "lead free". The Contractor shall be responsible for complying with the State, local laws, ordinances, codes, rules and regulations governing the Reduction of Lead in Drinking Water Act that may have additional limitations or requirements.

## 2.02 DUCTILE IRON PIPE

### A. General

- 1. Pipe and fittings 3-inch to 64-inch shall conform to AWWA C150 and C151 and the following requirements:
  - a. Minimum pipe pressure class shall be based on pipe size, depth of bury and laying conditions in accordance with AWWA C150 and C151.
  - b. Pipe shall be designed for an operating pressure of 150 psi plus a surge allowance of 100 psi.
  - c. Interior shall be lined with cement-mortar with seal coat in accordance with AWWA C104.
- B. Ductile-iron pipe for below ground service shall have push-on joints, conforming to AWWA C150 and C151, and to the following requirements
  - 1. Provide mechanical joint fittings.
- C. Ductile-iron pipe for above ground service shall have flanged joints, unless noted otherwise on the Drawings, conforming to AWWA C115.
- D. Fittings for ductile-iron pipe shall conform to AWWA C110, or C153 and to the following requirements:
  - 1. Joint type shall be as specified above for the supplied ductile-iron pipe.
  - 2. In lieu of exterior asphaltic coating and interior cement lining, fittings may be provided with a 6-8 mil nominal thickness fusion bonded epoxy coating inside and out in conformance with AWWA C550.
  - 3. Fittings shall be made of ductile-iron.
- E. Ductile iron pipe on piers shall have restrained joints as recommended by the pipe manufacturer.
- F. Special Pipe Joints
  - 1. Restrained.
    - a. Provide restrained joint pipe at fittings and valves on water mains. Length of restrained pipe shall be as calculated by the Design Engineer and approved by the City. Restrained joints shall be Snap-Lok (Griffin Pipe), Flex Ring and Lok-Ring (American), TR Flex (U.S. Pipe) or approved equal.
    - b. Restrained joint pipe and fittings shall meet all AWWA standards and other requirements as specified above for standard ductile iron pipe and fittings unless addressed herein.
    - c. Field made joints are allowable but should be avoided where possible. Careful planning to locate field cuts in standard pipe sections is preferred. For field made joints in restrained piping, use field weldments or an insert

equal to TR Flex Gripper Rings or approved equal. Gasket type field made joints will not be allowed.

- d. Restrained joint fittings shall be provided by the restrained joint pipe supplier where located within restrained joint pipe sections. Fittings shall be of the same model and type as the pipe supplied from the pipe manufacturer.
- e. Restrained joint fittings may be push-on joint type.
- f. Megalugs, Series 1100, as manufactured by EBAA Iron Sales or approved equal shall be allowable for restraint where approved by the City.
- g. Tees for hydrants do not have to be restrained along the main line except where they are within required restrained length of nearby fittings or valves.
- h. Contractor shall develop a field layout schedule and drawing for restrained joint pipe installations.

## **2.03 POLYVINYL CHLORIDE (PVC) PRESSURE PIPE**

### **A. General**

- 1. Pipe and fitting size shall be as indicated on the Drawings.
- 2. PVC materials shall comply with ASTM D1784 with a cell classification of 12454-B.
- 3. Pipe shall be certified and listed for potable water distribution products in accordance with NSF 14 or 61 and bear the NSF seal on each section of pipe.

### **B. AWWA C900: C900 PVC pipe 4-inch to 12-inch shall conform to AWWA C900 and the following requirements:**

- 1. Outside diameter shall conform to ductile-iron pipe.
- 2. Pipe shall be a minimum pressure class of 150 with a standard dimension ratio of DR 18.
- 3. Pipe shall have plain end and elastomeric-gasket bell ends.
- 4. Fittings shall conform to AWWA C110 or C153 and have mechanical joints. Fittings shall be made of ductile-iron. Interior of fittings shall be cement-mortar lined with seal coat in accordance with AWWA C104.

### **C. AWWA C905: C905 PVC pipe 14-inch to 48-inch shall conform to AWWA C905 and the following requirements:**

- 1. Outside diameter shall conform to ductile-iron pipe.
- 2. Pipe shall have a pressure rating of 200 with a standard dimension ratio of DR 21.
- 3. Pipe shall have plain end and elastomeric-gasket bell ends.
- 4. Fittings shall conform to AWWA C110 or C153 and have mechanical joints. Fittings shall be made of ductile-iron. Interior of fittings shall be cement-mortar lined with seal coat in accordance with AWWA C104.

### **D. Pressure Rated: Pressure Rated (PR) PVC pipe 1-1/2-inch to 3-inch shall be used only if approved by the City for a specific application and shall conform to ASTM D2241 and the following requirements:**



1. Pipe shall be pressure rated 200 with a standard dimension ratio of SDR 21.
2. Pipe shall have an integral elastomeric-gasket bell end. The joints and gaskets shall comply with ASTM D3139 and ASTM F477.
3. Fittings for 3-inch pipe shall conform to AWWA C110, or C153 and have mechanical joints with transition gaskets as required for the pipe outside diameter. Fittings shall be made of ductile-iron. Interior of fittings shall be cement-mortar lined with seal coat in accordance with AWWA C104.

#### **2.04 COPPER PIPE AND TUBING**

- A. Copper pipe and tubing shall conform to ASTM B-88 Type K and Type L standard specification for seamless copper water tube with copper or brass fittings. Type K to be used underground. Type L to be used above ground.
- B. Soldered joint fittings shall conform to NSI B-16.22. Fittings to be of same manufacturer as pipe.
- C. Screw joint fittings to be provided where required.
- D. Screw joint unions shall be provided at each in-line valve, pressure regulator, pressure reducer and/or where indicated.

#### **2.05 POLYETHYLENE TUBING (WITH PRIOR CITY APPROVAL)**

- A. Polyethylene tubing, 1/2-inch through 3-inch, shall conform to AWWA C901, NSF Standards 14 and 61, and the following requirements:
  1. The tubing shall be made from material having standard PE code designation PE 4710.
  2. The tubing shall have a minimum pressure class of 160 psi with a dimension ratio (DR) of DR-9.
- B. Crosslinked polyethylene tubing, 1/2-inch thru 3-inch, shall conform to AWWA C904, ASTM F876, NSF 14 and 16, and the following requirements:
  1. Tubing shall be made using a peroxide crosslinking process with a minimum degree of crosslinking of 85%.
  2. Tubing shall have a pressure rating of 160 psi dimension ratio (DR) of DR-9 and shall be compatible with the City's standard potable water fittings.

#### **2.06 ENCASUREMENT PIPE**

- A. Encasement pipe installed under City maintained and NCDOT maintained roadways shall be in accordance with NCDOT's "Policies and Procedures for Accommodating Utilities on Highway Rights-of-Way".
- B. Encasement pipe installed under railroads shall be in accordance with "Part 5.3, Specifications for Pipelines Conveying Non-Flammable Substances" as developed by the American Railway Engineering Association (AREA).
- C. Pipe materials used for the carrier pipe shall be adjusted as needed to meet the requirements of the roadway or railroad owners.
- D. Pipe supports used in the encasement pipe designed and manufactured for the support of the carrier pipe shall be as follows:
  1. Band and Riser Material: 14 gauge steel for band and riser except if the riser is over 6-inches high, the steel shall be 10 gauge for riser. Riser shall be of the

channel shape. Band with risers shall have a fusion bonded PVC coating of a minimum of 10-mil thickness. Band shall be bolted together with stainless steel bolts, nuts and washers.

2. Band Liner: Provide PVC liner a minimum of 0.09 inches.
  3. Runners: Glass Reinforced Polyester or UHMW Polymer plastic. Runner shall be a minimum of 1-inch wide and not more than 1-inch shorter than the bandwidth. Provide 2 top and 2 bottom runners for pipe sizes through 12-inches and 2 top and 4 bottom runners for pipes over 12-inches.
- E. End seals installed on the encasement pipe may be a wrap around or a pull-on type. Seal shall be made of 1/8-inch thick synthetic rubber and shall be secured with stainless steel banding straps with worm gear tightening device.

## 2.07 TAPPING SLEEVE

- A. Tapping Sleeve: Tapping sleeves shall be 304 stainless steel, flanged for the tapping valve and manufactured for a working pressure of 150 psi. Sleeve shall have a full body 360-degree gasket. Sleeve shall have a 3/4-inch test plug. Bolts and nuts shall be stainless steel.
- B. Stainless steel tapping sleeve shall be Mueller model number H-304ss, Romac Models SST-4 60 to SST 2650, Smith Blair models 662, 663, 664 and 665 and approved equals.

## 2.08 VALVES

- A. General: Valves shall meet the following requirements:
1. 12-inch and smaller valves shall be suitable for a working pressure of not less than 200 psi, and a minimum of 150 psi for valves greater than 12-inch.
  2. Open by **counterclockwise** rotation (**open left**).
  3. Provide an interior protective epoxy coating in accordance with AWWA C550 on ferrous surfaces in contact with the liquid.
  4. Components in contact with the liquid shall be in compliance with NSF 61.
  5. Equip valves with a suitable means of operation to be approved by the City.
  6. Ends shall be mechanical joint for underground location and flanged joint for above ground location/underground utility vaults.
  7. For buried valves over 5 feet deep, provide extension stems of cold rolled steel to bring the operating nut to within 2 feet of the ground surface. Extension stems shall also be provided as required for floor stands and to floor valve box.
  8. Provide valve accessories as required for proper valve operation for valve locations as recommended by valve manufacturer.
  9. Similar valve types shall be of one manufacturer.
- B. Gate Valves, Resilient-Seated: Gate valves 3-inch to 20-inch shall conform to AWWA C509 or AWWA C515 and to the following requirements:
1. O-ring stem seal on non-rising (NRS) stem valves.
  2. Ends shall be mechanical joint for underground locations and flanged joint for above ground locations.

3. Valves shall be non-rising stem (NRS) with wrench nut for underground locations and Outside Screw and Yoke (OS&Y) with handwheel for above ground locations.
  4. Valves 16-inch and larger shall be equipped with gearing to facilitate opening. Geared valves shall be equipped with indicators to show the position of the gate in relation to the water.
  5. Valves 16-inch and larger shall be equipped with a by-pass if system pressures are high enough to warrant. Manufacturer's recommendations will be used to determine this.
- C. Tapping Valves: Tapping valves shall conform to the specifications for the gate valves as indicated in this Section and the following:
1. Valve shall be specifically modified for the passage and clearance of the tapping machine cutter.
  2. The mating end to the tapping sleeve shall be raised male surface to provide true alignment to the sleeve and tapping machine. The valve shall be compatible with the tapping sleeve.
- D. Butterfly Valves: Butterfly valves may be allowed by the City for installations greater than 16-inch. Butterfly valves shall conform to AWWA C504 for potable water and to the following requirements:
1. Valve body shall be ductile iron and mechanical joint for below ground locations and flanged short body or long body in underground vaults and above ground locations. End mechanical joints shall conform to ANSI/AWWA C110/A21.10 and ANSI/AWWA C111/A21.11. End flanges shall conform to ANSI B16.1, Class 125 and ANSI/AWWA C110/21.10.
  2. Valves shall be AWWA Class 150B.
  3. Rubber seats shall mate with stainless steel or nickel-copper alloy seat surfaces.
  4. Valve shafts shall be one piece or the stub-shaft type. Shafts shall be type 304 stainless steel.
  5. Valve discs shall be cast iron, ductile iron, or stainless steel.
  6. Valve Actuator
    - a. Manual Actuator: Manual actuator shall be of the traveling nut type. Valves for buried service shall have a standard AWWA nut. Valves for above ground shall have a handwheel, or chain wheel as indicated on the Drawings. Actuators shall be open-left (**counterclockwise**) only.
- E. Swing-Check Valves: Swing-check valves 2 to 24-inch shall conform to AWWA C508 and to the following requirements:
1. Provide lever and weight for swing check control.
  2. Metal to Metal seat construction.
  3. Ends shall be flanged.

## 2.09 AIR VALVES

- A. Provide air valves in conformance with AWWA C512 and the following:
1. Valve type shall be an Air Release valve.

2. Valves shall be sized based on flow capacity of line and pressure.
3. Valve shall be designed for the following automatic operation:
  - a. Release accumulated air while the main is in operation and under pressure.
4. Provide threaded inlet.
5. Provide stainless steel ball float and wetted internal parts.
6. Provide isolating bronze ball valve for connection to main line.

## 2.10 MANHOLES

### A. General

1. Manholes shall be made of pre-cast concrete sections in conformance with ASTM C478, N.C. Department of Transportation and the following requirements:
  - a. Standard manhole diameter shall be 4 feet unless the depth exceeds 15 feet. In these cases the minimum diameter shall be 5 feet.
  - b. Pre-cast concrete manholes shall be as manufactured by Adams Concrete, Carolina Precast Concrete, Inc., D&M Concrete Specialties, Inc., N.C. Products Corp., Stay Right Tank, Tindall Concrete Products, Inc. or approved substitute.

### B. Pre-Cast Sections

1. Minimum wall thickness shall be 5-inches.
2. Base: Cast monolithically without construction joints or with an approved PVC waterstop in the cold joint between the base slab and the walls. The width of the base extensions on Extended Base Manholes shall be no less than the base slab thickness.
3. Riser: Minimum lay length of 16-inches.
4. Eccentric Cone: Top inside diameter shall be 24-inches. Width of the top ledge shall be no less than the wall thickness required for the cone section.
5. Transition Cone: Provide an eccentric transition from 60-inch and larger manholes to 48-inch diameter risers, cones, and flat slab top sections. Minimum slope angle for the cone wall shall be 45 degrees.
6. Flat Slab Top: Designed for HS-20 traffic loadings as defined in ASTM C890. Items to be cast into Special Flat Slab Tops shall be sized to fit within the manhole ID and the top and bottom surfaces. Provide a float finish for exterior slab surface.
7. Pre-Cast or Core Holes for Pipe Connections: Diameter of hole shall not exceed outside diameter of pipe by more than 3-inches.
8. Grade Rings: May be used to adjust frame and cover to finished grade.
9. Grade Rings shall be no less than 4-inches in height.
10. Lifting Devices: Devices for handling pre-cast components shall be provided by the pre-cast manufacturer and comply with OSHA Standard 1926.704.

### C. Joints

1. Manufacturer in accordance with tolerance requirements of ASTM C990 for butyl type joints.

2. Minimize number of joints. Do not use riser section for manholes up to 6 feet tall and no more than one riser for each additional 4 feet in height.
3. Flexible Joint Sealants: Preformed butyl rubber based sealant material conforming to Federal Specification SS-S-210A, Type B and ASTM C990.
4. External Seal: Polyethylene backed flat butyl rubber sheet no less than 1/16-inch thick and 6-inches wide.

D. Flexible Pipe Connectors

1. Provide flexible connectors for pipe to manhole that conform to ASTM C923.
2. Provide stainless steel pipe clamp type band around flexible connection to sewer pipe.

E. Manhole Steps

1. Steps shall be in accordance with ASTM C478 and made of 1/2-inch grade 60 steel encapsulated by co-polymer polypropylene and have serrated tread and tall end lugs.
2. Secure steps to the wall with compression fit in tapered holes or cast-in-place. Align steps along a vertical wall and shall not be located over a pipe opening. First step shall be a maximum of 26 inches from the bottom.
3. Steps shall be by American Step Co., Inc., Bowco Industries, Inc., M.A. Industries, Inc. or approved substitute.

## 2.11 CASTINGS

A. General

1. Made of gray iron, ASTM A-48 - Class 30, or ductile iron, ASTM A536, grade 65-45-12.
2. Castings shall be free from imperfections not true to pattern. Casting tolerances shall be plus or minus 1/16 inch per foot of dimension. Top shall set neatly in frame, with edges machined for even bearing and proper fit to prevent rattling and flush with the edge of frame.
3. Castings shall be as manufactured by Neenah Foundry Co., U.S. Foundry & Manufacturing Corp., Vulcan Foundry, or approved equal.

B. Manhole Ring and Cover:

1. Minimum clear opening shall be 22 inches.
2. Minimum weight for frame and cover shall be 310 pounds and suitable for Heavy Duty Highway Traffic Loads of H-20.
3. Frame shall have four 3/8-inch anchor bolt holes equally spaced.
4. "Water" shall be cast on the cover as appropriate. Casting shall bear the name of the manufacturer and the part number.
5. Provide solid cover.

## 2.12 VALVE ACCESSORIES

- A. Valve Box, Below Ground: Boxes shall be high strength cast iron of the telescopic type. Box shall consist of a flare base section, center extension as required, and a top section with the word "WATER" cast in the cover. Length of box shall be such that full extension of box is not required at the depth of water main cover.

- B. Extension Stem (if necessary): Stem shall be sized so as to transmit full torque from the operating mechanism to the valve stem without binding, twisting, or bending. Stem shall be made from extra heavy steel pipe. Stem shall be complete with couplings for connection to valve and floor stand where required. When valve extension kits are used they must be as recommended by the valve manufacturer.

## 2.13 SERVICE VALVES AND FITTINGS

- A. Water service valves and fittings shall conform NSF 61 and AWWA C800 for normal pressure and the following requirements:
1. 3/4-inch direct taps may be made to ductile iron pipe 6-inch in diameter or larger. Service saddles shall be used for all other pipe materials.
  2. Service Saddle: Provide service saddle for service pipe connection to main pipe material. Saddles shall meet the following requirements:
    - a. Brass body to conform to the outside dimension of the main. Confirm with City prior to project for main pipe to be tapped and saddle requirements.
    - b. O-ring, Buna N rubber gasket to provide watertight connection.
    - c. Hinged, double bottom strap design.
    - d. Threaded outlet to match threads on corporation valve.
  3. Corporation Valve
    - a. Stop size shall be the same as service line.
    - b. Inlet thread shall be as per AWWA C800.
    - c. Outlet thread shall be as required for the pipe material specified.
    - d. Corporation stops shall be manufactured by Mueller Company or the Ford Meter Box Company or approved equal.
  4. Pressure Reducing Valve
    - a. Shall meet ASSE 1003.
    - b. Bronze body, renewable stainless steel seat.
    - c. Suitable for reducing from an inlet pressure range of 100 – 150 psi to an outlet pressure of 40 psi.
  5. Meter Boxes
    - a. Boxes and cover shall be shall be the following:
      - 1) Mueller EZ-Setter Box with setter (3/4-inch and 1-inch services)
      - 2) Mueller EZ-Vault with setter (1 1/2-Inch and 2-inch services)
      - 3) Pre-cast vault per standard detail for services 3-inch and larger)
    - b. Mueller EZ-Setter and EZ-Vault shall have aluminum bottom.
    - c. Minimum 18 inches deep.
    - d. Sized for required water meter.

## 2.14 FIRE HYDRANTS

- A. Fire hydrants shall conform to AWWA C502 and to the following requirements:
1. Nozzles: Two (2) 2-1/2-inch hose and One (1) 5-inch Storz connections.
  2. Nozzle threads: "Claremont Standard"
  3. Main valve diameter: 5-1/4 inch.
  4. Minimum depth of bury: 42-inches.
  5. Inlet connection: 6-inch mechanical joint.
  6. Open **counterclockwise (open left)**.
  7. Close with water pressure.
  8. O-ring seals.
  9. Traffic model with frangible sections near the ground line designed to break on impact.
  10. Provide extension for hydrant standpipe as required to set centerline of hydrant nozzle a minimum of 15-inches and a maximum of 24-inches above grade.
  11. Exterior color above ground line shall match Claremont's standard at the time of installation.
  12. Hydrants shall be Mueller Super Centurion 250, specific model to be specified by City Fire Department.

## 2.15 BACKFLOW PREVENTION ASSEMBLY

- A. General
1. All water services shall be provided with a means of backflow prevention. The type of device will either be a Dual Check (DC) Valve, Dual Check Valve Assembly (DCVA) with test assembly, or a Reduced Pressure Zone Assembly (RPZ) with test assembly and dump port. The type of device used will generally be dependent on the Degree of Hazard posed by the customer being served. Engineer/Developer shall coordinate with the City to determine the type of device required.
  2. Examples of the various Degrees of Hazards and required backflow devices are as follows:
    - a. Low Hazard: Any of the following or similar uses unless the use includes a use clearly identified as a higher hazard. These activities shall have a minimum of a Dual Check Valve (DC) installed at the meter service two (2) inches or less.
      - 1) Two-family residential homes (duplexes).
      - 2) Multi-family residential units.
      - 3) Duplexes that have a master meter.
      - 4) Office buildings.
      - 5) Retail stores with only one (1) meter under two (2") inches in diameter.
      - 6) Warehousing (detached and with only restrooms).
      - 7) Churches (with only restrooms).

- b. Moderate Hazard: Any of the following or similar uses unless the use includes a use clearly identified as a higher hazard. The following is a partial list of facilities, activities and processes which require the installation of an approved Double Check Valve Assembly (DCVA).
- 1) A private water system or building, any portion of which is elevated less than 50 feet above any service connection between such private water system and the public water system.
  - 2) Beauty shops/barber shops.
  - 3) Fire sprinkler or standpipe systems without chemical additives without booster pumps. Fire lines shall also include a properly sized water meter with shut off valves.
  - 4) Gas stations (with no food preparation).
  - 5) Industrial or manufacturing facilities (that do not include a high hazard).
  - 6) Apartment houses or complexes that have a master meter.
  - 7) Mobile home parks/Manufactured home parks.
  - 8) Restaurants, bakeries, commercial kitchens or convenience stores with food service with no water supplied fire suppression system.
  - 9) Churches (with kitchen facilities).
- c. High Hazard: Any of the following uses. The following is a partial list of facilities, activities and processes which require the installation of a Reduced Pressure Zone Assembly (RPZ).
- 1) Any private water system used or designed for use with a booster pump or which may become pressurized for any reason to the extent that backpressure may occur.
  - 2) Any service connection having irrigation tied in (irrigation not on a separate tap) including residential irrigation systems.
  - 3) Any private water system which contains water which has been or is being recirculated.
  - 4) Connection of a non-potable water use (fire lines, fire suppression systems, irrigation systems, cooling towers, auxiliary water supplies, used water, etc.) to a potable water supply.
  - 5) A private water system or building any portion of which is elevated 50 feet or more above any service connection between such private water system and the public water system.
  - 6) Automotive plans and service bays.
  - 7) Beverage bottling plants.
  - 8) Breweries.
  - 9) Campgrounds, RV parks.
  - 10) Canneries, packing houses and other rendering houses.
  - 11) Commercial carwashes.
  - 12) Chemical plants.



- 13) Churches (containing a baptismal or operating a multi-functional facility).
- 14) Commercial greenhouses.
- 15) Commercial laundries.
- 16) Concrete/asphalt plants.
- 17) Dairies and cold storage plants.
- 18) Dentist offices.
- 19) Dry cleaning.
- 20) Dye works.
- 21) Morgues, mortuaries, and embalming facilities.
- 22) Film laboratories.
- 23) Fire sprinkler or standpipe systems with chemical additives.
- 24) Hospitals, clinics, medical buildings.
- 25) Hotels, apartment houses, public and private buildings or structures 50 feet or more in height.
- 26) Industrial facilities that utilize water in their industrial process.
- 27) In-ground irrigation systems, with or without chemical additives.
- 28) Laboratories.
- 29) Law care companies.
- 30) Malls, strip malls, or multi-tenant strip malls (frequent tenant change and photo labs, etc.) that are master metered.
- 31) Master metered buildings or facilities with multi-use tenants.
- 32) Metal processing plants.
- 33) Nursing homes
- 34) Oil and gas production, storage or transmission properties.
- 35) Paper and paper products plants.
- 36) Pest control (exterminating and fumigating).
- 37) Pharmaceutical plants.
- 38) Photo labs.
- 39) Plating plants.
- 40) Power plants.
- 41) Radioactive materials or substances, plants or facilities handling.
- 42) Restaurants, bakeries, commercial kitchens, convenience stores with food services, any of which have water-supplied fire suppression systems.
- 43) Rubber plants (natural or synthetic).
- 44) Sand and gravel plants.
- 45) Schools and colleges.
- 46) Swimming pools, spas, hot tubs, with fixed water lines.
- 47) Tanks or reservoirs filled by water from public water supply.

- 48) Tire manufacturers.
  - 49) Truck wash facilities.
  - 50) Veterinary hospitals, clinics, offices.
  - 51) Wastewater treatment plants, lift stations, and storm drain facilities.
  - 52) Waterfront facilities and industries.
- B. Backflow prevention assemblies shall conform to USC Foundation for Cross Connection Control and Hydraulic Research and to the following requirements:
- 1. Dual Check Valve (DC) shall meet the requirements of ASSE Std. #1024.
  - 2. The size and type shall be as indicated by the Degrees of Hazard as approved by the City.
  - 3. Double Check Valve Assembly (DCVA) in conformance with AWWA C510 and ASSE 1015.
  - 4. Reduced Pressure Zone Assembly (RPZ) in conformance with AWWA C511 and ASSE 1013.
  - 5. Assembly unit shall include a flow Detector consisting of an auxiliary line with an approved backflow preventer and water meter. Flow detector assembly shall comply with ASSE 1047 or 1048.
  - 6. Service shall be for cold water.
  - 7. End connection shall be threaded or flanged.
  - 8. Assembly shut-off valves shall be:
    - a. 2-inch and under: 1/4 turn, full port, resilient seated, bronze ball valve.
    - b. Over 2-inch: OS&Y resilient seated gate valves.
  - 9. Valves shall be internally epoxy coated in accordance with AWWA C550.

## **2.16 BACKFLOW PREVENTER ENCLOSURES**

- A. Enclosures for backflow preventers (BFP) shall meet the following requirements:
- 1. Aluminum or fiberglass reinforced construction sized to totally enclose "wet" portion of BFP.
  - 2. Provide access through lockable doors or hinged lid for testing of BFP.
  - 3. Shall be totally removable for maintenance of BFP.
  - 4. Lined with unicellular, non-wicking, insulation.
  - 5. Provide thermostatically controlled heat source within enclosure to provide freeze protection to minus 30 degrees F.
  - 6. For enclosure of reduced pressure zone BFP provide drain openings at each end to accommodate full port discharge form device. Openings shall be protected against intrusion of wind, debris, and animals.
  - 7. Provide means of permanent anchor to concrete pad.

## 2.17 METERS

### A. General

1. The type of meter used shall be determined on a case-by-case basis. Engineer/Developer shall coordinate with the City to determine specific requirements.
2. Meters shall be installed on all service lines (including fire lines if required by City).
3. Meters shall be manufactured by Neptune Inc.

### B. Displacement Type Meters: Displacement type meters shall conform to AWWA C700 and to the following requirements:

1. Meter size shall be based on anticipated flows, size of proposed service line and as approved by the City.
2. Meter ends shall match pipe fittings.
3. Provide magnetic drive with sealed gear housing.
4. Totalizer shall have:
  - a. 4-inch dial reading in gallons
  - b. Seven-digit totalizer minimum
5. Must be capable of remote readout to match City's existing system.

### C. Turbine Meters: Turbine meters shall conform to AWWA C701 and to the following requirements:

1. Class meter: II
2. Meter size shall be based on anticipated flows, size of proposed service line and as approved by the City.
3. Meter ends shall match pipe fittings.
4. Provide magnetic drive with sealed gear housing.
5. Flow tube shall be cast iron with 2 mil epoxy coating.
6. Register shall have:
  - a. Direct reading seven-digit (minimum) totalizer reading in gallons.
  - b. Circular test dial
  - c. Must be capable of remote readout to match City's existing system.

### D. Compound Meters: Compound meters shall conform to AWWA C702 and to the following requirements:

1. Meter size shall be based on anticipated flows, size of proposed service line and as approved by the City.
2. Meter ends shall match pipe fittings.
3. Provide magnetic drive with sealed gear housing.
4. Main casing shall be cast iron.
5. Totalizer shall have:
  - a. 4-inch dial reading in gallons
  - b. Seven-digit totalizer minimum
  - c. Circular test dial

- d. Must be capable of remote readout to match City's existing system.

## **2.18 THRUST BLOCKING**

- A. Provide concrete thrust blocking in accordance with the Standard Detail.
- B. Thrust blocking is not required where restrained joint fittings and equivalent length of restrained joint pipe are used unless otherwise required by the City.

## **2.19 DISINFECTANT**

- A. The following products may be used as the disinfectant:
  - 1. Chlorine, liquid: AWWA B301.
  - 2. Hypochlorite, calcium and sodium: AWWA B300.

## **PART 3 EXECUTION / INSTALLATION**

### **3.01 PIPE AND ACCESSORIES**

- A. General
  - 1. Provide erosion control measures as required. Erosion control measures including seeding and mulching shall be designed, installed and maintained in accordance with the N.C. Department of Environment and Natural Resources, Land Quality Section's "Erosion and Sediment Control Planning and Design Manual". The Developer/Engineer is responsible for securing all required permits.
  - 2. Pipe installation shall meet the following general guidelines:
    - a. Lay pipe in the presence of a representative of the City, unless specifically approved otherwise.
    - b. Handle pipe and accessories in accordance with manufacturer's recommendations. Take particular care not to damage pipe coatings.
    - c. Carefully inspect pipe immediately prior to laying. Do not use defective pipe. Replace pipe damaged during construction.
    - d. Lay pipe to design grade and alignment.
    - e. Provide proper equipment for lowering pipe into trench.
    - f. Do not lay pipe in water or when the trench or weather conditions are unsuitable for the work.
    - g. Provide tight closure pipe ends when work is not in progress.
    - h. Keep pipe interior free of foreign materials.
    - i. Clean bell and spigots before joining. Make joints and lubricate gasket in accordance with pipe manufacturer recommendation.
    - j. Block fittings with concrete or restrain as required to prevent movement.
- B. Trenching for Underground Pipe Installation
  - 1. Definitions
    - a. Backfill: A specified material used in filling the excavated trench and placed at a specified degree of compaction.

- 1) Materials: Materials listed herein include processed materials plus the soil classifications listed under the Unified Soil Classification System, (USCS) (Method D2487 and Practice D2488). The soil materials are grouped into five broad categories according to their suitability for this application.
  - i. Class I: Angular, 6 to 40-mm (1/4 to 1-1/2-in.), graded stone, including a number of fill materials that have regional significance such as coral, slag, cinders, crushed stone, and crushed shell.
  - ii. Class II: Coarse sands and gravels with maximum particle size of 40 mm (1-1/2 in.), including various graded sands and gravels containing small percentages of fines, generally granular and noncohesive, either wet or dry. Soil Types GW, GP, SW, and SP are included in this class.
  - iii. Class III: Fine sand and clayey gravels, including fine sands, sand-clay mixtures, and gravel-clay mixtures. Soil Types GM, GC, SM, and SC are included in this class.
  - iv. Class IV: Silt, silty clays, and clays, including inorganic clays and silts of medium to high plasticity and liquid limits. Soil Types MH, ML, CH and CL are included in this class. These materials shall not be used for bedding, haunching, or initial backfill.
  - v. Class V: This class includes the organic soils OL, OH, and PT as well as soils containing frozen earth, debris, rock larger than 40 mm (1 1/2 in.) in diameter, and other foreign materials. These materials shall not be used for bedding, haunching, or initial backfill.
- 2) Backfill Zones: Each backfill zone shall extend the full width of the trench bottom.
  - i. Foundation: Extending down from the bottom of bedding zone as defined below.
  - ii. Pipe Embedment
    1. Bedding: Extending from 4 inches below the pipe bottom to the pipe bottom for 30-inch diameter and smaller and 6 inches below the pipe bottom for pipes larger than 30 inches in diameter.
    2. Haunching: Extending from the bedding (bottom of the pipe) to the pipe spring line.
    3. Initial Backfill: Extending from the haunching (pipe spring line) to 1 foot above the top of the pipe.
  - iii. Final Backfill: Extending from the initial backfill to the finish ground elevation.

- b. Laying Conditions:
    - 1) Type 1: Flat bottom trench with loose backfill.
    - 2) Type 2: Flat bottom trench with backfill lightly consolidated to centerline of pipe.
    - 3) Type 3: Pipe bedded in 4 inches minimum of loose soil and backfill lightly consolidated to top of pipe.
    - 4) Type 4: Pipe bedded on Class I material to 1/8 pipe diameter (4 inch minimum) Backfill compacted to top of pipe a minimum of 80 percent of standard proctor.
    - 5) Type 5: Pipe bedded in compacted Class I material to pipe centerline with 4-inch minimum under pipe. Backfill to top of pipe with Class I, II, or III and compact to 90 percent of standard proctor.
  - c. Compaction: Process of mechanically stabilizing a material by increasing its density at a controlled moisture condition. "Degree of compaction" shall be expressed as a percentage of the maximum dry density obtained by the test procedure presented in ASTM D698 (Standard Proctor).
  - d. Excavation: The removal of soil or rock to obtain a specified depth or elevation.
  - e. Hard Material: Solid, homogeneous material which is not included in the definition of "rock" but which may require the use of heavy excavation equipment with ripper teeth. Amount must exceed 1 cubic yard in volume. Material having a standard penetration resistance as determined by ASTM D1586 between 60 and 150 blows per foot is defined as "hard material."
  - f. Lift: Layer of soil placed on top of a previously prepared or placed soil.
  - g. Rock: Solid, homogeneous material which cannot be removed without the systematic drilling and blasting exceeding 1 cubic yard in volume. Material having a standard penetration resistance as determined by ASTM D1586 greater than 150 blows per foot is defined as "rock." Removal of "hard material" will not be considered rock excavation because of intermittent drilling and blasting that is performed merely to increase production.
  - h. Pipe Springline: A line running horizontally through the center of the pipe.
  - i. Topsoil: Natural, friable soil, representative of productive soils in the vicinity of the site. Topsoil shall be free from roots, stones larger than 1 inch, objectionable weed seeds, toxic substances, and materials that hinder grading, planting, and maintenance operations.
2. Products
- a. Stone
    - 1) Class I material shall be #67 or #78M stone in accordance with NCDOT specifications Section 1005, General Requirements for Aggregate.
  - b. Warning and Identification Tape
    - 1) Tape shall be a minimum 3-inch wide polyethylene plastic tape manufactured specifically for identification of buried utilities with

means of enabling detection by a metal detector to a minimum depth of 3 feet. Tape shall be color coded and continuously imprinted with warning and identification markings in bold black letters to read "CAUTION - BURIED (utility) LINE BELOW." Color and printing shall be permanent, unaffected by moisture or soil and shall be as follows:

<u>UTILITY</u>	<u>COLOR</u>	<u>MARKING</u>
Water .....	Blue .....	Caution - Buried Water Line Below
Gravity Sewer .....	Green .....	Caution - Buried Sewer Line Below
Force Main .....	Green .....	Caution - Buried Force Main Below
Electric .....	Red.....	Caution - Buried Electric Line Below
Gas.....	Yellow.....	Caution - Buried Gas Line Below
Telephone .....	Orange .....	Caution - Buried Telephone Line Below
SCADA.....	Orange .....	Caution - Buried SCADA Line Below

2) Tape shall be by Blackburn Manufacturing, Joseph G. Pollard Co., or Reef Industries Inc.

c. Tracer Wire

- 1) Tracer wire shall be #12 solid copper wire. All connections shall be by wire nuts and taped.
- 2) Splices in tracer wire are to be kept to a minimum and joined with copper split nuts of appropriate size.

3. Project Safety

- a. Contractor is responsible for Project safety.
- b. Perform work in conformance with applicable State and Federal safety regulations including, but not limited, to the following:
  - 1) North Carolina Safety and Health Standards for the Construction Industry (29CFR 1926 Subpart P).
  - 2) NC OSHA Industry Guide No. 14, Excavations.
  - 3) NC OSHA Industry Guide No. 20, Crane Safety.
- c. Provide barriers, warning lights, and other protective devices at excavations as necessary for safety of workers and the public.
- d. Provide sloping of bank, shoring, sheeting, or other means of maintaining the stability of the trench in accordance with the requirements of the Associated Contractor's Manual of Accident Prevention OSHA, Part 1926.P.

4. Protection of Underground Facilities

- a. Investigate underground facility location prior to start of construction.
- b. Installer is required to contact North Carolina 811 prior to start of construction.
- c. Repair damage to any existing facilities.

5. Water Control
  - a. Prevent surface water from entering the trench.
  - b. When trench bottom is below the existing ground water table, install a dewatering system to maintain water table 1 (one) foot below trench bottom. Provide a man experienced in dewatering work at the job site.
  - c. Maintain dewatering until backfilling has proceeded above the existing ground water level.
  - d. Dispose of water from dewatering operations in accordance with the North Carolina Sedimentation Pollution Control Act.
6. Use of Explosives
  - a. Explosives may not be used on any excavation unless specifically approved by the City.
7. Excavating
  - a. Excavation shall be by open cut method. Short sections of trench may be tunneled or direct bored with the approval of the City.
  - b. Stockpile excavated material in such a manner that it will not obstruct the flow of runoff, streams, endanger Work, impair the use or appearance of existing facilities, or be detrimental to the completed Work.
  - c. Contractor shall segregate excavated material so as to maintain material suitable for backfill separate from material that is unsuitable.
  - d. Trench dimensions at the pipe embedment and foundation zone unless noted otherwise shall be as follows:
    - 1) Minimum width: Pipe outside diameter plus 18 inches.
    - 2) Maximum width: Pipe outside diameter plus 24 inches.
    - 3) Sides shall be vertical to a minimum of one foot above the top of pipe.
  - e. Shape trench bedding to provide uniform bearing for the full pipe length. Bottom shall be free of protrusions that could cause point loading on pipe. Provide bell holes as required for properly making pipe joint.
  - f. Do not over excavate. Excavation below grade shall be backfilled with Class I material.
  - g. Undercut soils that become unsatisfactory by construction activity or by being left exposed to the weather and backfill with Class I material.
  - h. Remove shoring, bracing, and sheeting, unless otherwise noted, as the trench is backfilled.
  - i. Excavation of trench shall not advance more than 200 feet ahead of the installation. In no case should the excavation extend beyond that which can be backfilled by the end of the workday.
  - j. Correct unstable soil conditions encountered at trench foundation by one of the following methods:
    - 1) Excavate below grade as approved by Engineer and backfill with Class I material or approved substitute material.



- k. Rock and Hard Material
    - 1) Excavate rock and hard material to a minimum depth of 4 inches below the pipe for pipes smaller than 30 inches and 6 inches for pipes 30 inches and larger.
  - l. Pressure Lines:
    - 1) Provide a minimum 3 feet of cover.
    - 2) Excavate trenches to provide vertical curve chords that will not exceed the pipe manufacturer's recommended joint deflection.
    - 3) Provide concrete thrust blocks having a compressive strength of 3,000 psi at 28 days at change in horizontal and vertical direction and reduction in the pipe size, unless other restraint systems are approved. Cut trench sides vertical and square to receive concrete. Provide bearing area against trench wall as indicated in the Standard Detail.
8. Backfilling
- a. General
    - 1) Temperature must be above freezing and rising.
    - 2) In windy, hot, or arid conditions with a high rate of evaporation add moisture to the material to maintain the optimum moisture content.
    - 3) Do not proceed in rain or on saturated subgrade.
    - 4) Do not place material on surfaces that are muddy, frozen, or contain frost.
    - 5) Maintain backfill operation within 200 feet from pipe laying operation.
    - 6) Backfill trench to existing ground surface with select excavated material at the specified compaction.
    - 7) If excavated material is unsuitable to obtain specified compaction, provide suitable off-site borrow material for backfill.
    - 8) Re-excavate trenches improperly compacted. Backfill and compact as specified.
    - 9) Provide appropriate tamping equipment, and water to obtain proper moisture content, to achieve specified compaction of backfill.
    - 10) Conduct operation of heavy equipment above pipe installation as to prevent damage to pipe.
    - 11) Install warning / identification tape over utilities. Bury tape one foot below finished grade above the utility.
    - 12) Install tracer wire for non-metallic pressure pipe. Bury tracer wire with pipe. Wire shall be looped into valve boxes to allow access for direct contact location.
  - b. Backfill in pipe embedment zone (bedding, haunching, and initial backfill).
    - 1) General
      - i) Backfill with material as specified below. Material shall be free from objects larger than 2 inches.

- ii) Where rock and hard material has been excavated below pipe bottom, backfill and compact bedding with Class I material. Class II or III material may be used for bedding with Engineer's approval.
  - iii) Place backfill material to assure placement of material under pipe haunches.
  - iv) Take care during placement and compacting of material to avoid movement of pipe.
- 2) Place backfill in bedding and haunching zones in 6 inch maximum lifts and compact to 90 percent density. Place initial backfill in one lift do not compact. Provide backfill material in pipe embedment zone as specified below.
  - i) Pressure Lines (Flexible and Rigid Pipe)
    - 1. Excavation in Class I, Class II, and Class III soils suitable for bedding, the bedding surface shall provide a firm foundation of uniform density. Backfill with select excavated material.
    - 2. Excavation in Class IV or Class V, running water, and other unstable soil conditions, excavate a minimum of 4 inches below pipe bottom and provide Class I material for bedding and haunch zone. Backfill with Class I, II, or III material in initial backfill.
    - 3. Ductile Iron over 16 inch
      - a) Depth 0 - 12 feet: Type 2 laying conditions same as for pressure pipe.
      - b) Depth over 12 feet: Provide Class I material for bedding and 4 inches up from bottom of pipe.
- c. Final Backfill
  - 1) Backfill with materials free of stones and free of debris larger than 6 inches in dimension. Place backfill in lifts not exceeding the thickness and compacted to the minimum density specified below.
  - 2) Trench backfilled with non-cohesive materials may be compacted with water flooding; except under roadways, shoulders of roadways, and other areas subject to vehicular movement, provided the method of compaction is approved by the City and provides the degree of compaction required.
  - 3) Lifts and density:
    - i) Undeveloped areas (i.e., forests, fields, and, croplands): Trench may be filled with bulldozer blade provided material fall will not damage pipe. Mound soil over the trench area sufficiently to settle level over time. Degree of compaction shall be 85 percent.
    - ii) Lawns: Backfill in 12-inch lifts and compact to 90 percent. Top 12 inches shall be free of material with a dimension over 2 inches.

- iii) Roads (including Rights-of-way), drives, parking areas (including areas within 20 feet), and adjacent to existing utilities: Backfill in 6 inch lifts compact to 95 percent.
  - iv) Within 20 feet of foundations: Backfill in 6-inch lifts compacted to 95 percent.
- d. Utility Structures: Bring backfill to grade in even lifts on all sides. Lift depths and compaction densities shall be as specified according to area of installation for pipe above. Backfill against cast-in-place concrete structure only after concrete has attained the specified 28-day compressive strength.

### 3.02 RELATION OF WATER MAINS TO SEWERS

- A. Lateral Separation: Lay water mains at least 10 feet laterally from existing and proposed sewers. Where existing conditions prevent a 10-foot lateral separation, the following shall be followed with approval of the Engineer:
  - 1. Lay water main in a separate trench, with the elevation of the bottom of the water main at least 18 inches above the top of the sewer.
  - 2. Lay water main in the same trench as the sewer with the water main located at one side on a bench of undisturbed earth, and with the elevation of the bottom of the water main at least 18 inches above the top of the sewer.
- B. Crossing Separation: Lay bottom of water main at least 18-inches above the top of the sewer. Where existing conditions prevent an 18-inch vertical separation, construct both the water main and sewer of ferrous materials and with joints that are equivalent to water main standards for a distance of 10 feet on each side of the point of crossing.
- C. Crossing a Water Main Under a Sewer: When it is necessary for a water main to cross under a sewer, construct both the water main and the sewer of ferrous materials and with joints equivalent to water main standards for a distance of 10 feet on each side of the point of crossing. A section of water main pipe shall be centered at the point of crossing. Both the water and sewer lines must be pressure tested to 150 psi to insure water tightness.

### 3.03 WATER SERVICE

- A. Water service lines shall extend from the main distribution line to a meter box located at the right-of-way.
- B. 3/4-inch water service lines may be direct tapped to ductile iron pipe 6-inch diameter or larger. Water service taps larger than 3/4-inch shall be made using a service saddle.
- C. Taps shall be located at 10 or 2 o'clock on the circumference of the pipe.
- D. Service taps shall be staggered, alternating from one side of the water main to the other and at least 12 inches apart.
- E. Taps on the same side of the main shall be a minimum of 24 inches apart.
- F. Install meter boxes and water service components so top of meter will be within 6 inches of the surface.

### **3.04 DUCTILE IRON PIPE**

- A. Install pipe in conformance with AWWA C600 and the following:
  - 1. For laying pipe in a vertical or horizontal curve, each full length pipe may be deflected by the following offset distance:
    - a. Push-on joint
      - 1) 3 to 12-inch pipe: 14-inch offset
      - 2) 14 to 36-inch pipe: 8-inch offset
    - b. Mechanical joint
      - 1) 3 to 6-inch pipe: 20-inch offset
      - 2) 8 to 12-inch pipe: 15-inch offset
      - 3) 14 to 20-inch pipe: 8-inch offset
      - 4) 24 to 36-inch pipe: 6-inch offset
  - 2. For laying restrained joint pipe in a vertical or horizontal curve, except for horizontal directional drills (HDD), each full length pipe may be deflected by the following offset distance:
    - a. 6 to 12-inch pipe: 11-inch offset
    - b. 16 to 20-inch pipe: 7-inch offset
    - c. 24 to 30-inch pipe: 5-inch offset
    - d. 36-inch pipe: 4-inch offset
    - e. 42 to 48-inch pipe: 1 ¼ -inch offset

### **3.05 PVC PRESSURE PIPE**

- A. Install PVC C900 pipe in conformance with AWWA C605.
- B. Bell and Spigot Joints: Clean bell and spigot ends prior to jointing. Ends of field cut pipe shall be beveled with file. Gasket shall be clean and lightly lubricated. Joint shall be made as recommended by the manufacturer.

### **3.06 VALVES AND FITTINGS**

- A. Maximum spacing between line valves shall be as identified in Section 1.02.D.
- B. Install buried valves on top of an 18-inch square, 3-inch thick, solid concrete pad (minimum dimensions). The concrete pad may be provided by a pre-cast manufacturer or cast-in-place in the field above grade. Concrete used for the pads shall be a minimum 3,000 psi mix. The pads may not be cast-in-place in the pipe trench. Connection to pipe shall be such that there shall be no stress at the joint caused by misalignment or inadequate support of pipe or valve.
- C. Valve Box: Set a valve box over each buried valve. Support box so that no stress shall be transmitted to the valve or pipe line. Install box plumb and set top flush with finished grade. Operating nut shall be centered in box. Provide a 24-inch x 24-inch wide by 6-inch thick concrete pad at top of valve boxes outside paved areas.
- D. Valve operation nut shall be within 30 inches of the top of box. Provide stem extension if necessary to bring operating nut to within 30 inches of the top of box.

- E. Install fittings as recommended by the manufacturer. Fittings shall be blocked or otherwise restrained from movement.
- F. Install valves, gates, and accessories in complete accordance with the manufacturer's recommendations.
- G. Install air / vacuum valve inside a manhole as per manufacturer's recommendations and the City's approval.

### **3.07 AIR VALVES**

- A. Installation shall be in accordance with the manufacturer's recommendations and the City's approval.

### **3.08 ENCASEMENT AND CARRIER PIPE**

- A. Verify the subsurface conditions at each boring site.
- B. Stabilize and maintain bore pit bottom to provide proper equipment support and maintain pipe alignment. Dewater as necessary for site. Excavate bore pit in accordance with OSHA regulations. Provide adequate barricades, railings, and warning lights throughout the boring operation. Conduct operation in such a manner so as not to create a hazard to, nor impede the flow of traffic.
- C. Install encasement pipe by dry boring and jacking.
- D. Boring auger diameter shall not be greater than the outside diameter of the encasement pipe and shall not extend more than 6-inches ahead of the cutting edge of the encasement pipe. Fill voids that are formed during the operation with a 1:3 portland cement grout pumped at 50 psi to ensure that there will be no settlement of the roadway.
- E. As the boring operation progresses, butt weld each new section of the encasement pipe to the section previously jacked into place. Maintain proper alignment. Confirm the grade of the encasement pipe as the Work progresses.
- F. If an obstruction is encountered during the boring operation, efforts should be made to remove the obstruction. If obstruction cannot be removed, withdraw the encasement pipe and fill the void with 1:3 portland cement grout at 50 psi. If the encasement pipe cannot be withdrawn, seal ends before moving to another bore site. City shall approve location of new bore site.
- G. Provide seals at each end of encasement pipe.
- H. Install carrier pipe in the encasement pipe using manufactured pipe supports. Supports shall prevent movement of the carrier pipe within the encasement. Space supports as specified.

### **3.09 MANHOLES**

- A. Provide 12 inches of No. 67 stone base to extend a minimum of 6 inches beyond the manhole base.
- B. Set base plumb and level. Align manhole invert with pipe invert.
- C. Secure pipe connectors to pipe in accordance with manufacturer's recommendation.
- D. Clean bells and spigots of foreign material that may prevent sealing. Unroll the butyl sealant rope directly against base of spigot. Do not stretch.

- E. Set precast components so that steps align.
- F. Plug lift holes using a non-shrink grout. Cover with a butyl sealant sheet on the outside and seal on the inside with an application of an epoxy gel 1/8-inch thick extending 2 inches beyond the opening.
- G. Set manhole frames to grade with grade rings. Seal joints between cone, adjusting rings, and manhole frame with butyl sealant rope and sheet.
- H. Finish the interior by filling fractures greater than 1/2 inch in length, width or depth with a sand cement mortar. Do not fill the joints between the precast components.
- I. Clean the interior of the manhole of foreign matter.

### **3.10 METERS**

- A. Install meter boxes and water service components so top of meter will be within 6 inches of the surface.
- B. Install meter in accordance with manufacturer's recommendations.
- C. Meter installation must be performed with a City representative present to observe installation.

### **3.11 HYDRANT**

- A. Set hydrant in accordance with manufacturer's recommendations and Standard Detail.
- B. All hydrants to be installed on 6-inch or larger mains.
- C. Coordinate the location of fire hydrants with the City. Generally hydrants will be located as follows:
  - 1. At least one hydrant at each street intersection.
  - 2. In residential areas the maximum spacing of hydrants, as measured along street centerlines, shall be 500 feet.
  - 3. In business, commercial and industrial areas, the maximum spacing between hydrants, as measured along street centerline, shall be 300 feet.

### **3.12 PAVEMENT PATCHING**

- A. Repair damaged pavement structure.
- B. Cut existing pavement for utility installation in straight lines generally parallel to the utility. Properly dispose of removed pavement structure.
- C. Extend pavement patch 1 foot beyond each side of trench on firm subgrade. Slope new surface to drain.
- D. Asphalt Pavements: Replace asphalt pavement with a pavement structure no less than as shown on the Standard Details. For roadways under NC Division of Highways jurisdiction, pavement shall be replaced in accordance with their requirements.
- E. Concrete Pavements: Replace concrete pavement with pavement structure equal to existing but no less than 6 inches. Concrete shall be minimum 3,000 psi. When existing concrete joint is within 5 feet of trench remove existing concrete to joint.

Provide expansion joint at edge of existing concrete. Surface treatment shall match existing.

- F. Curbs, Gutters, and Sidewalks: Replace curbs and gutters, and sidewalks removed or damaged with similar sections to match the existing. Remove to nearest existing joint.
- G. Approval of Other Authorities: Pavements under the jurisdiction of the NC Division of Highways shall be subject to the approval of a representative of that Division.

### **3.13 GRADING AND CLEAN-UP**

- A. Provide for testing and clean-up as soon as practical, so these operations do not lag far behind the pipe installation. Perform preliminary clean-up and grading as soon as backfill is complete.
- B. Provide positive drainage of finished grade and drain away from structures. Finished grade shall be reasonably smooth, compacted, free from irregular surface changes and comparable to the adjacent existing ground surface.
- C. Seed and mulch disturbed areas.
- D. Upon completion of backfilling, remove and properly dispose of excess material and waste.

### **3.14 BACKFLOW PREVENTION TESTING**

- A. Install and test Backflow prevention devices in accordance with the manufacturer's requirements in the presence of a representative of the City.

### **3.15 PRESSURE TESTING**

- A. Pressure test in accordance with AWWA C600 for ductile iron pipe and AWWA C605 and M23 for PVC pipe and as specified herein
- B. General:
  - 1. The Engineer shall approve the source, quality, and method of disposal of water to be used in test procedures.
  - 2. Obtain City's permission 48 hours prior to filling or flushing of pipe system with water from City's water system. City shall operate valves connected to the existing water system. Where large quantities of water may be required for flushing, City reserves the right to require that flushing be done at periods of low demand.
  - 3. Clean and flush pipe system of foreign matter prior to testing.
  - 4. Provide air vents at the high points in the line section to be tested for releasing of air during filling. Service corporation stops may be used for air vent when located at a high point. Leave corporation stops in place after testing and note locations on As-Built Drawings.
  - 5. Allow concrete blocking to reach design strength prior to pressure testing.
  - 6. Test main prior to installation of service taps.
  - 7. Repair defects in the pipe system. Make repairs to the same standard as specified for the pipe system.
  - 8. Retest repaired sections until acceptance.

9. Repair visible leaks regardless of the test results.
  10. Pipe sections shall not be accepted and placed into service until specified test limits have been met and appropriate certifications made to the permitting agencies.
- C. Testing
1. Notify City a minimum of 48 hours prior to testing.
  2. Perform tests in the presence of a representative of the City.
  3. Make pressure tests between valves. Furnish suitable test plugs where line ends in "free flow."
  4. Upon completing a section of pipe between valves, test pipe by maintaining for a two hour period a hydrostatic pressure of 200 psig.
  5. Test pressure shall not vary by more than +/- 5 psi for the duration of the test.
  6. No length of line shall be accepted if the leakage is greater than that determined by the following formula based on the appropriate test pressure:
    - L = Allowable leakage per 1,000 feet of pipe in gallons per hour.
    - D = Nominal diameter of the pipe in inches.
    - 100 psi:  $L = D \times 0.07$
    - 150 psi:  $L = D \times 0.08$
    - 200 psi:  $L = D \times 0.09$
    - 250 psi:  $L = D \times 0.10$

### 3.16 DISINFECTION

- A. After satisfactory completion of the pressure test, disinfect new potable water mains and existing mains that have required repair in accordance with AWWA C651 and as specified herein.
- B. General:
  1. Provide a superintendent experienced in the required procedures for disinfecting with chlorine.
  2. Obtain City's permission 48 hours prior to filling, flushing, and chlorinating of the water mains. City shall operate valves connected to the existing water system.
  3. Do not allow highly chlorinated water into the existing distribution system.
  4. If there is any question that the chlorinated discharge will cause damage to the environment, a reducing agent shall be applied to the water to neutralize the residual chlorine. Federal, state, or local environmental regulations may require special provisions or permits prior to disposal of highly chlorinated water.
  5. Perform disinfection and testing in presence of a representative of the City.
- C. Connection to Existing System:
  1. Notify City 48 hours prior to making connections to the existing system. Thoroughly clean the existing water main exterior prior to the installation of tapping sleeves and corporation stops. Lightly dust with calcium hypochlorite powder the water main exterior and the interior surface of the tapping sleeve, and corporation stops.



- D. After satisfactory flushing of the main, disinfect by the injection of a chlorine solution. Induce chlorine in sufficient quantity to maintain a chlorine residual of at least 50 ppm throughout the system to be tested. Maintain the chlorine solution in the system for at least 24 hours.
- E. Valves and Fire Hydrants:
  - 1. Open and close valves on the mains being disinfected a minimum of three times during the chlorine contact period and a minimum of three times during flushing. Fire hydrants and other appurtenances should receive special attention to insure proper disinfection.
- F. For Cut-In Construction:
  - 1. Use the following procedures for disinfecting of the new installation and the existing main at the cut-in point in accordance with AWWA C651, Section 9:
    - a. Apply liberal quantities of hypochlorite, in the form of tablets, to the open trench.
    - b. Interior of new pipe and fittings and the ends of the existing mains shall be swabbed or sprayed with a one percent hypochlorite solution before installation.
    - c. Install a 2-inch tap downstream of the work area. Tap shall be used for blowing off the main, or use the next fire hydrant downstream of the work area for blowing off the main.
    - d. Install a 2-inch tap just upstream of the new installation. Control Water from the existing system so as to flow slowly into the work area during the application of chlorine. After the line is thoroughly flushed, add chlorine solution at a concentration of 100 ppm by the continuous feed method and hold in the main for one (1) hour.
    - e. Coordinate all cut-in work with the City.
- G. Prior to flushing, the free chlorine residual shall be a minimum of 10 ppm. Flushing of the lines shall proceed until the lines contain the normal chlorine residual of the system.
- H. Test in the field for free chlorine residual:
  - 1. Sample location shall be the same as required for the bacteriological test samples.
  - 2. Immediately after injection of the chlorine solution. Sample shall have a chlorine residual as specified.
  - 3. Prior to flushing of the highly chlorinated water from the potable water system and a minimum of 24-hours after the initial injection of the chlorine. Sample shall have a minimum chlorine residual as specified.

### **3.17 BACTERIOLOGICAL TESTING**

- A. Required location for obtaining water samples:
  - 1. Every 2,000 lf.
  - 2. End of each main.
  - 3. A minimum of one from each branch.
  - 4. Mains at cut-in locations: Each side of work area. Time between samples to be determined by Engineer in field.

- B. A laboratory, certified for the required testing by the State of North Carolina, shall collect the sample and perform the testing. The laboratory shall be the same for both sampling and testing.
- C. Obtain two water samples at each specified location for the bacteriological testing. Take the first sample immediately after flushing of the chlorinated water and again in 24-hours.
- D. Recommended additional samples. During the required sampling of water from the new system, it is recommended that samples be taken from the existing potable water source to determine if coliforms are present.
- E. Care in sampling. No hose or fire hydrant shall be used for the collection of samples. Take samples from an approved sample tap consisting of a corporation stop installed in the main with a copper tube gooseneck assembly. Operation shall be such as to ensure that the sample collected is actually from water that has been in the new system. Copper tube gooseneck assembly shall be removed and sample tap corporation stop shut off upon completion of testing bacteriological testing is requirements.
- F. Test samples for the presence of coliform organisms in accordance with the latest edition of Standard Methods for the Examination of Water and Wastewater. Testing method used shall be the multiple-tube fermentation technique, the membrane-filter technique, or presence/absence.
- G. Test for odor. The water in the new system should also be tested to assure that no offensive odor exists due to chlorine reactions or excess chlorine residual.
- H. If samples show the presence of coliform, procedure 1 or 2 described below shall be followed, with the approval of the City, before placing the unit or facility in service.
  - 1. Take repeat samples at least 24 hours apart until consecutive samples do not show the presence of coliform.
  - 2. Again subject the system to chlorination and sampling as described in this section.
- I. If samples are free of coliform, and with the approval of the City and with the proper certification being submitted to and accepted by the State's Public Water Supply Section, the potable water system may be placed in service.
- J. Contamination of Existing System:
  - If, in the opinion of the City, possible contaminants have entered the existing water system, or water samples show the water in the existing system to be unsafe on completion of the work, the existing water system shall be disinfected as specified herein and shall include all contaminated components. Disinfection of the existing system shall be coordinated with the City.

### 3.18 VALVE OPERATION

- A. Prior to final acceptance provide competent personnel to operate each valve in presence of City. Verify that valves are left in the open position.

### 3.19 "AS-CONSTRUCTED" DRAWINGS

#### A. General

1. Maintain on-site a full set of project drawings for purpose of recording as-constructed conditions.
2. Information should be legibly recorded as construction progresses.
3. Clearly and completely identify any field changes from the original drawings.
4. The depth of the installed waterline shall be recorded at all roadways, waterway crossings, utilities crossings, connections to new or existing waterlines, and all other areas as needed to accurately define the vertical location of the waterline. A minimum of one depth shall be recorded on each 100 feet of pipe installed. Depth shall be referenced to finished surface grades.
5. Show horizontal and vertical location of any existing underground utilities encountered during construction.
6. Submit document to the City prior to final acceptance.
7. All new features shall be surveyed utilizing survey grade GPS equipment and digital file with all surveyed information shall be provided to the City.
8. A digital CADD file shall be provided to the City that contains all the features constructed with the updated as-built information along with survey data.
9. The City shall have the right to employ an independent survey firm to verify the "As-Constructed" Drawings submitted by the Developer at the end of the project. If components or the drawings are determined to be incorrect, the Developer shall have all items corrected to obtain final approval by the City. Developer will also be responsible for reimbursing the City for all associated costs related to verification, review, and other costs arising from any corrections having to be made in order to provide correct plans and files to the City.

◆ END OF SECTION ◆

# Standard Detail Index

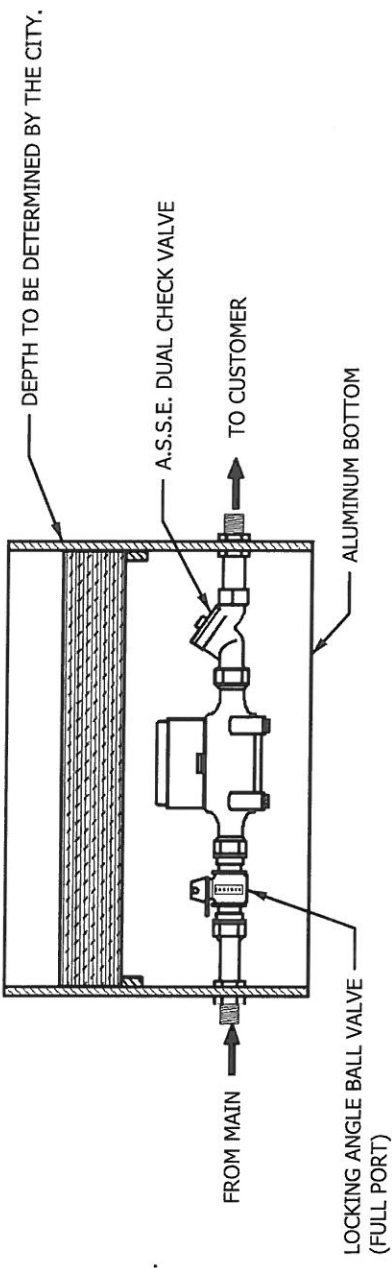
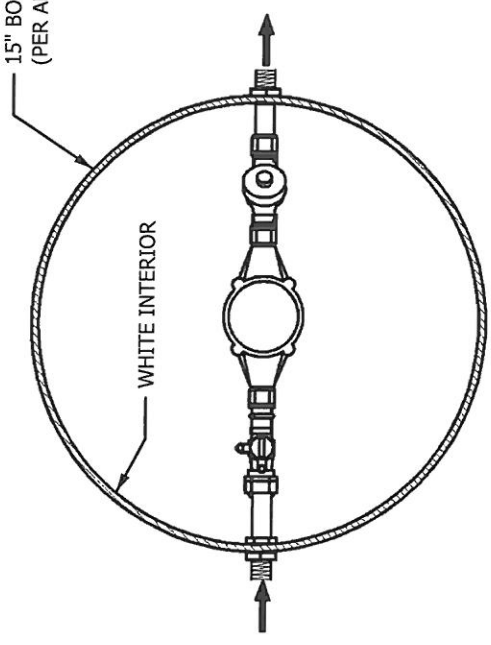
## SECTION 2 ♦ WATER DISTRIBUTION SYSTEM

<u>Detail #</u>	<u>Detail Description</u>
W-2.01 .....	Typical 3/4" and 1" Water Service
W-2.02 .....	Standard 1-1/2" and 2" Meter and Vault
W-2.03 .....	Typical 3" and Larger Service Installation
W-2.04 .....	Fire Defense Line with Meter and By Pass
W-2.05 .....	Standard 1-1/2" — 2" Backflow Assembly
W-2.06 .....	Standard 3" and Larger Backflow Assembly
W-2.07 .....	Valve Box Installation
W-2.08 .....	Fire Hydrant Assembly
W-2.09 .....	Tapping Sleeve and Valve
W-2.10 .....	Standard 2" Blow-Off Assembly
W-2.11 .....	Standard Temporary Capping
W-2.12 .....	Standard Valve Rodding
W-2.13 .....	Thrust Block for Horizontal Pipe Bends
W-2.14 .....	Water Line Bedding
W-2.15 .....	Valve Sign
W-2.16 .....	Yard Hydrant
W-2.17 .....	Installation of Pipe Line at Culvert Detail
W-2.18 .....	1" RPZ or Double Check Backflow Assembly
W-2.19 .....	Backflow Prevention Device for Filling New Mains





15" BOX DIAMETER / 18" BOX DIAMETER  
(PER APPLICATION AND CITY DETERMINATION)



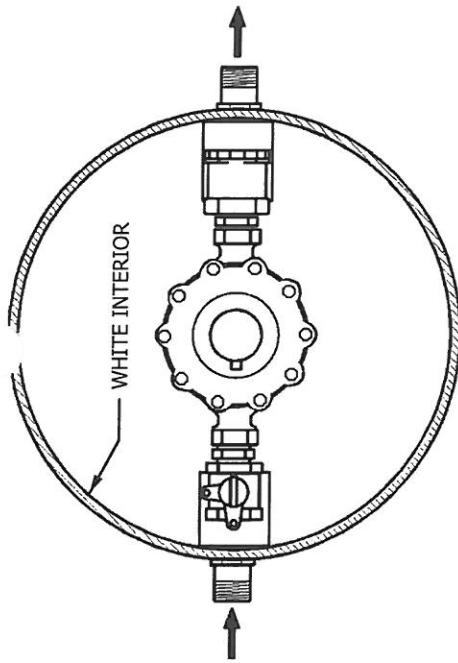
**NOTES:**

- 1) MUELLER EZ-SETTER METER BOX IS THE CITY STANDARD.
- 2) COMPONENTS IN CONTACT WITH POTABLE WATER SHALL COMPLY WITH THE LATEST REQUIREMENTS OF THE FEDERAL SAFE DRINKING WATER ACT.
- 3) COMPONENTS SHALL MEET NSF 61 CERTIFICATION REQUIREMENTS.
- 4) VALVES AND COUPLINGS SHALL BE MANUFACTURED AND TESTED IN ACCORDANCE WITH ANSI/AWWA C800.
- 5) METER SET TO BE ANCHORED TO METER BOX WALL. RIGID 0.300" MINIMUM PVC WALL.
- 6) MALE I.P. INLET AND OUTLET CONNECTIONS.

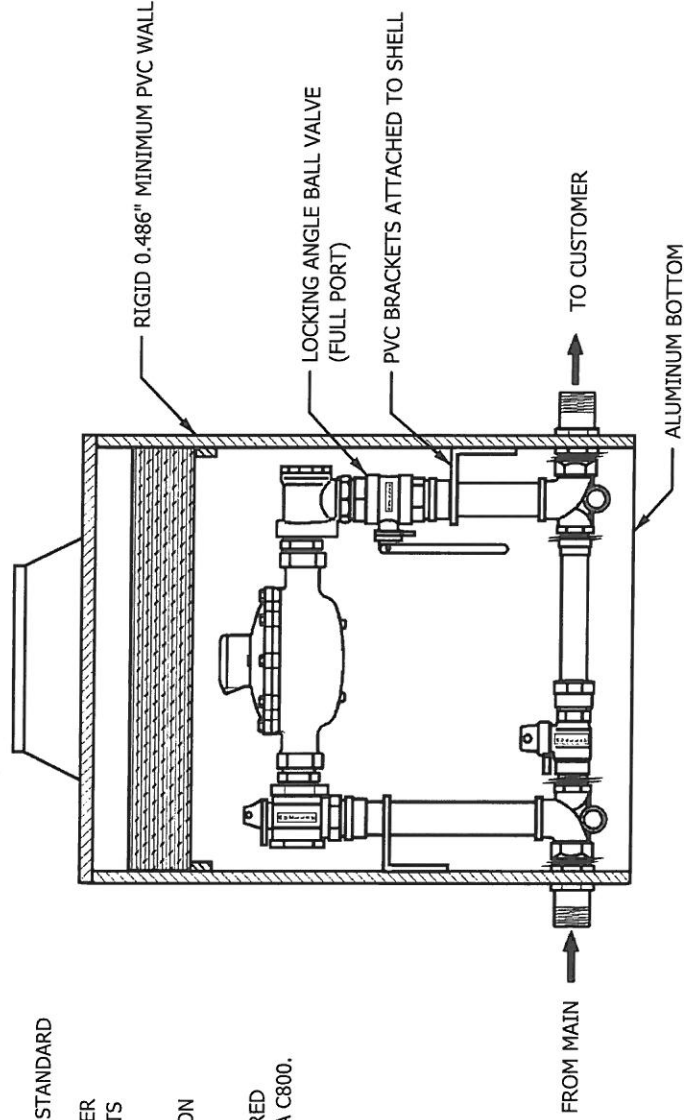
**TYPICAL 3/4" AND 1" WATER SERVICE**

<b>DATE:</b>	<b>REVISIONS</b>	DATE: 10-03-16
		SHEET 1 OF 1
		STD. No. W-2.01

**STANDARD DETAIL**



Typical Installation

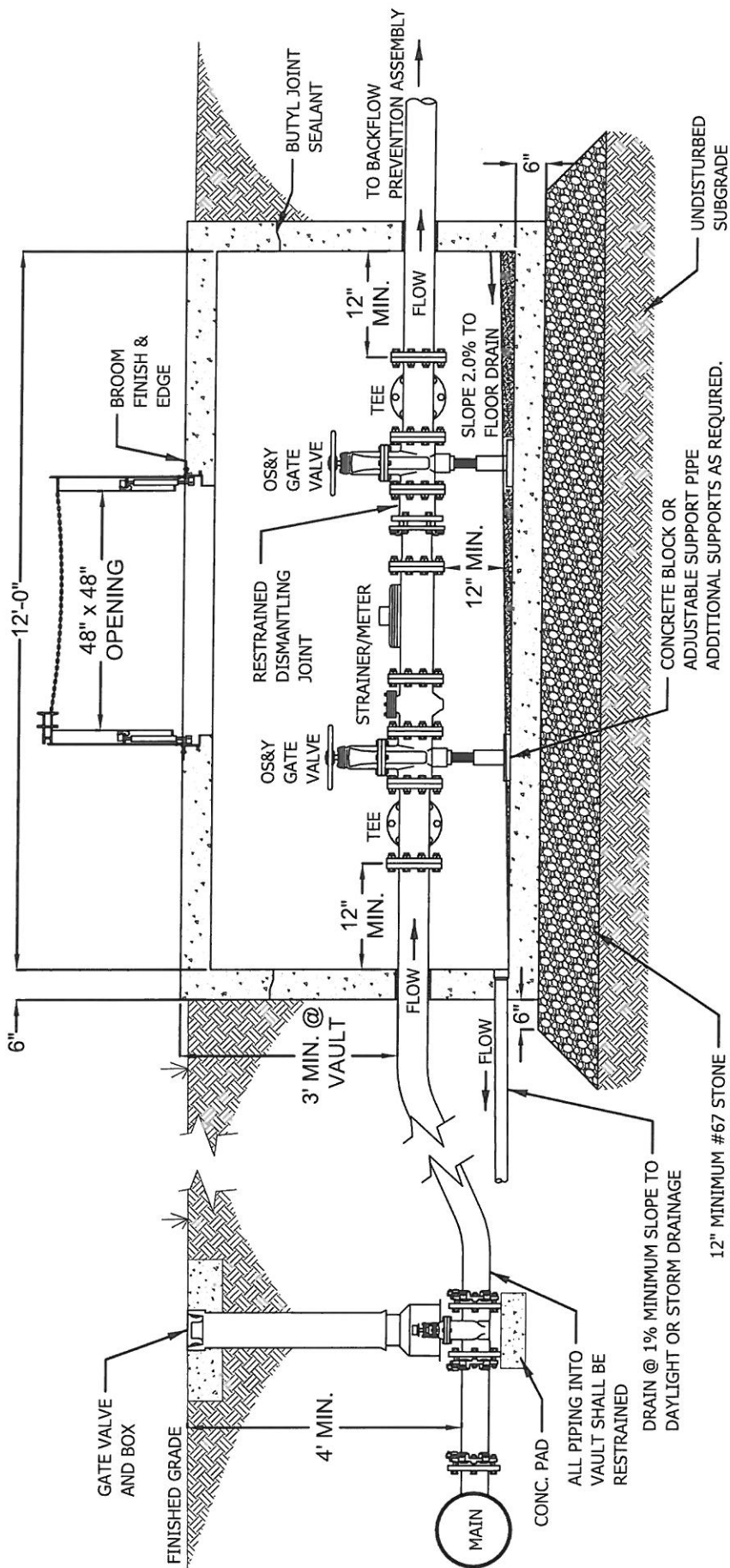


- NOTES:
- 1) MUELLER EZ-SETTER METER VAULT IS THE CITY STANDARD
  - 2) COMPONENTS IN CONTACT WITH POTABLE WATER SHALL COMPLY WITH THE LATEST REQUIREMENTS OF THE FEDERAL SAFE DRINKING WATER ACT.
  - 3) COMPONENTS SHALL MEET NSF 61 CERTIFICATION REQUIREMENTS.
  - 4) VALVES AND COUPLINGS SHALL BE MANUFACTURED AND TESTED IN ACCORDANCE WITH ANSI/AWWA C800.
  - 5) MALE I.P. INLET AND OUTLET CONNECTIONS.

# STANDARD 1 1/2" & 2" METER AND VAULT

DATE:	REVISIONS	DATE: 10-03-16
		SHEET 1 OF 1
		STD. No. W-2.02

## STANDARD DETAIL



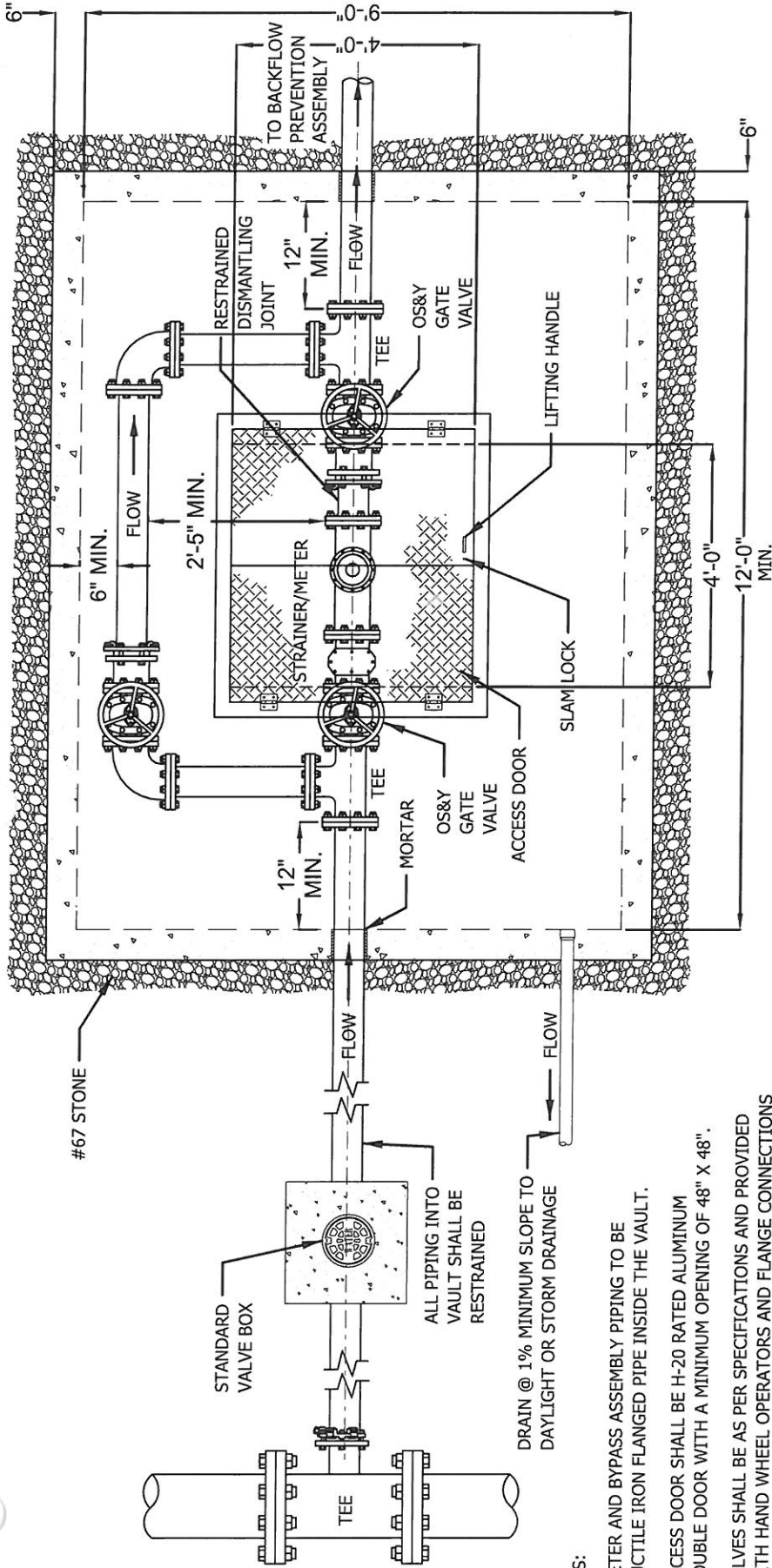
SECTION

# TYPICAL 3" AND LARGER SERVICE INSTALLATION

DATE: 10-03-16  
 SHEET 1 OF 2  
 STD. No. W-2.03

## STANDARD DETAIL

DATE:	REVISIONS



PLAN

NOTES:

- 1) METER AND BYPASS ASSEMBLY PIPING TO BE DUCTILE IRON FLANGED PIPE INSIDE THE VAULT.
- 2) ACCESS DOOR SHALL BE H-20 RATED ALUMINUM DOUBLE DOOR WITH A MINIMUM OPENING OF 48" X 48".
- 3) VALVES SHALL BE AS PER SPECIFICATIONS AND PROVIDED WITH HAND WHEEL OPERATORS AND FLANGE CONNECTIONS INSIDE VAULT. SUPPORTS SHALL BE SOLID BLOCK, OR ADJUSTABLE STEEL PIPE SUPPORTS.
- 4) TO ENSURE POSITIVE DRAINAGE, THE VAULT SHALL BE TIED INTO THE STORM DRAINAGE SYSTEM, IF POSITIVE DRAINAGE IS UNOBTAINABLE, A SUMP PUMP SHALL BE LOCATED AND OPERATED IN THE VAULT.
- 5) DOUBLE DOORS SHALL BE LOCKABLE WITH CITY SUPPLIED PADLOCK.
- 6) ALL APPLICATIONS REQUIRE AN ABOVE GROUND BACKFLOW PREVENTER.
- 7) VAULT TO BE DESIGNED BY A PROFESSIONAL ENGINEER LICENSED BY THE STATE OF N.C.

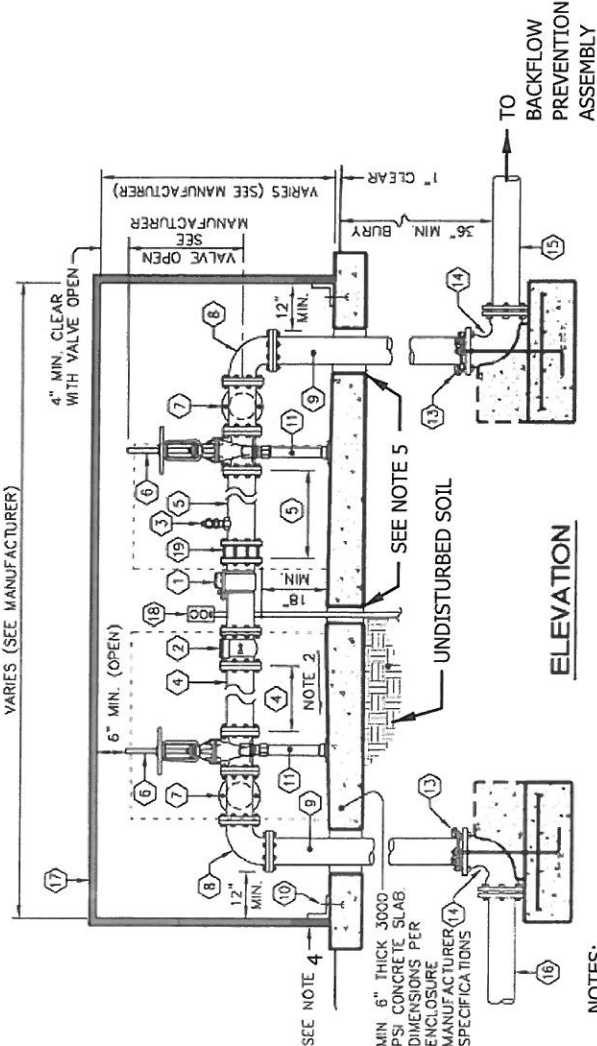
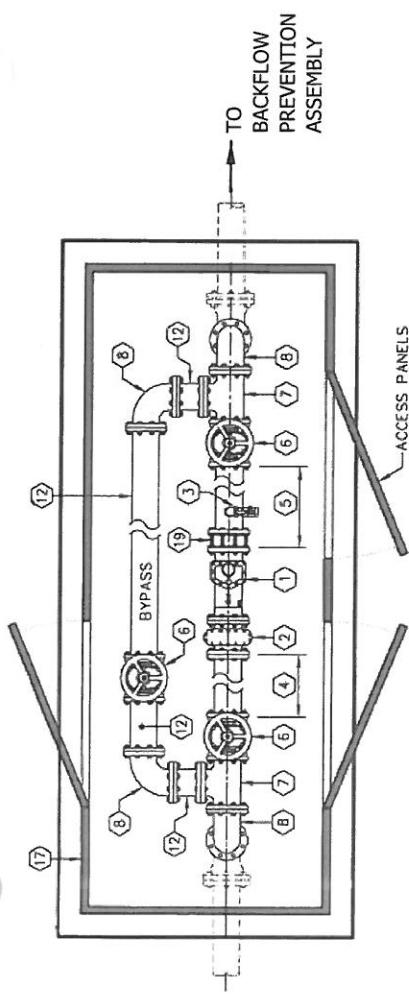
# TYPICAL 3" AND LARGER SERVICE INSTALLATION

DATE: 10-03-16  
 SHEET 2 OF 2  
 STD. No. W-2.03

## STANDARD DETAIL

DATE:	REVISIONS





**NOTES:**

- 1) SLOPE FLOOR TO DRAIN TO PORTS AT BOTH ENDS. ENSURE POSITIVE SURFACE GRADE AWAY FROM ENCLOSURE.
- 2) 12" CLEARANCE AROUND ALL CONNECTIONS INSIDE VAULT FROM FLOOR AND WALLS. 18" CLEARING BETWEEN METER AND BYPASS PIPING.
- 3) VAULT SIZE TO BE APPROVED BY THE CITY.
- 4) PROVIDE DRAIN PORT FOR POSITIVE DRAINAGE OUT OF ENCLOSURE. (MINIMUM TWICE THE SIZE OF WATER MAIN PIPE.)
- 5) PROVIDE MINIMUM 3" ANNULAR CLEARANCE AROUND ALL D.I.P. RISERS AND 1" AROUND ELECTRICAL CONDUIT.

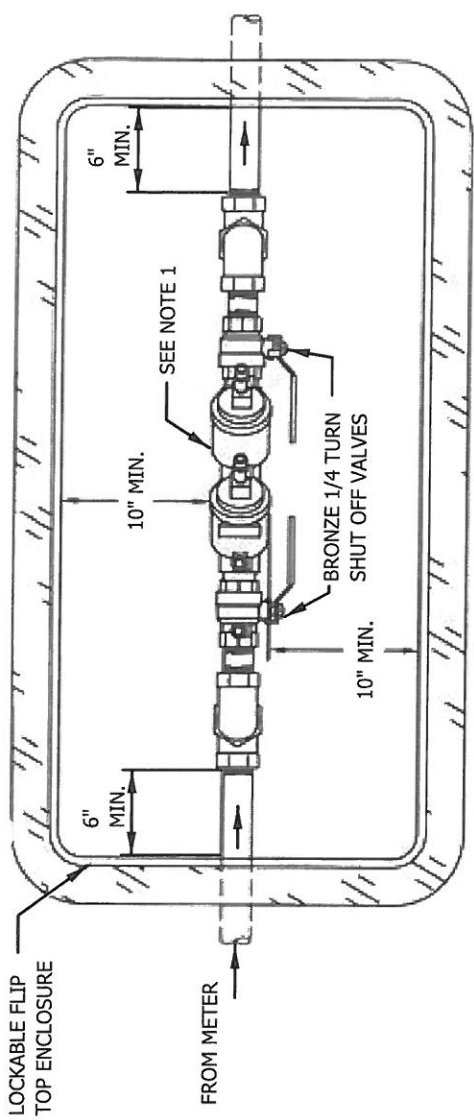
#	PART
1	METER
2	STRAINER
3	2" TEST PORT INSTALLED ON #5
4	DIP CLASS 350 NIPPLE (FLANGED) LENGTH = 5 TIMES THE PIPE DIAMETER
5	DIP CLASS 350 NIPPLE (FLANGED) LENGTH = 3 TIMES THE PIPE DIAMETER
6	OS&Y GATE VALVE
7	DIP CLASS 350 TEE (FLANGED)
8	DIP CLASS 350 90° BEND (FLANGED)
9	DIP CLASS 350 (FLANGED x PE)
10	STAINLESS STEEL EXPANSION ANCHOR BOLTS PER BOX MANUFACTURER RECOMMENDED SIZE & SPACING
11	ADJUSTABLE PIPE SUPPORTS HOT DIP GALVANIZED
12	DIP CLASS 350 NIPPLE (FLANGED) LENGTH = VARIES
13	WEDGE ACTION RESTRAINER GLAND JOINT RESTRAINT
14	90° DIP MJ x MJ ELBOW
15	DIP PIPE (OUTLET)
16	DIP PIPE (INLET)
17	INSULATED ENCLOSURE WITH LOCKING ACCESS DOORS
18	PROVIDE 120V RECEPTACLE ON GFCI NEAR PIPE RISER, SET MINIMUM 12" ABOVE DISCHARGE POINT OF RPZ. (AS APPLICABLE)
19	FLANGED COUPLING ADAPTOR

# FIRE DEFENSE LINE WITH METER AND BY PASS

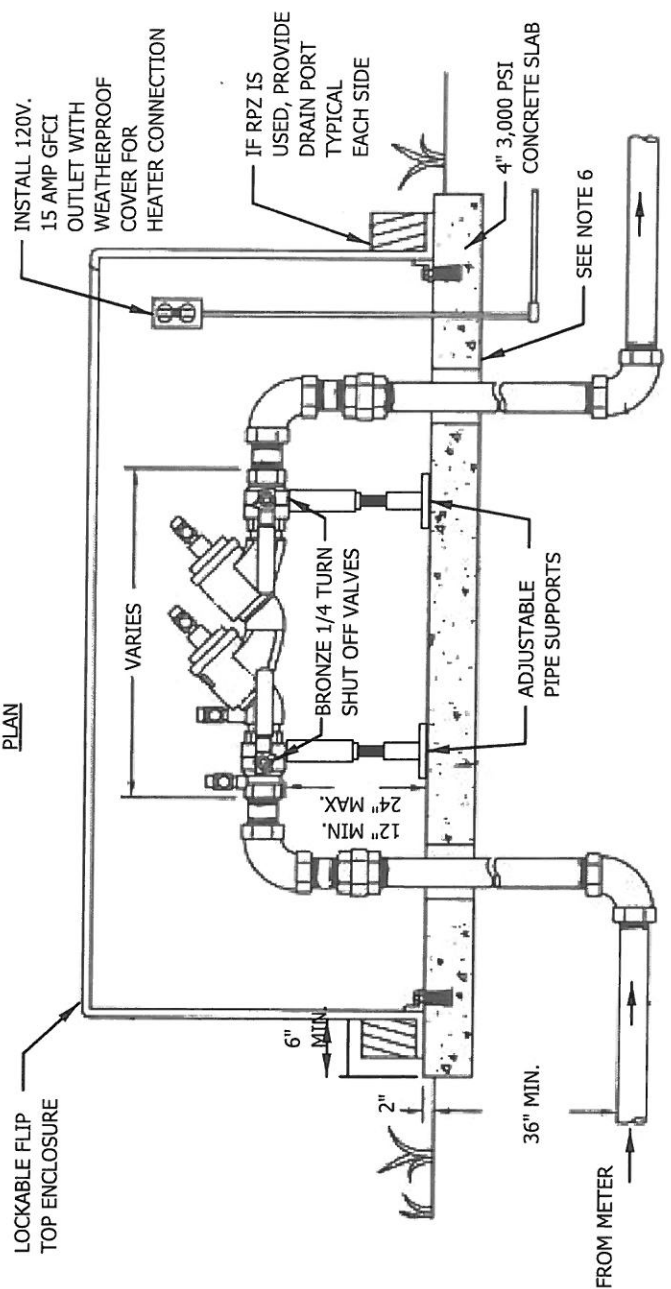
DATE: 10-03-16  
SHEET 1 OF 1  
STD. No. W-2.04

## STANDARD DETAIL

DATE: REVISIONS



PLAN



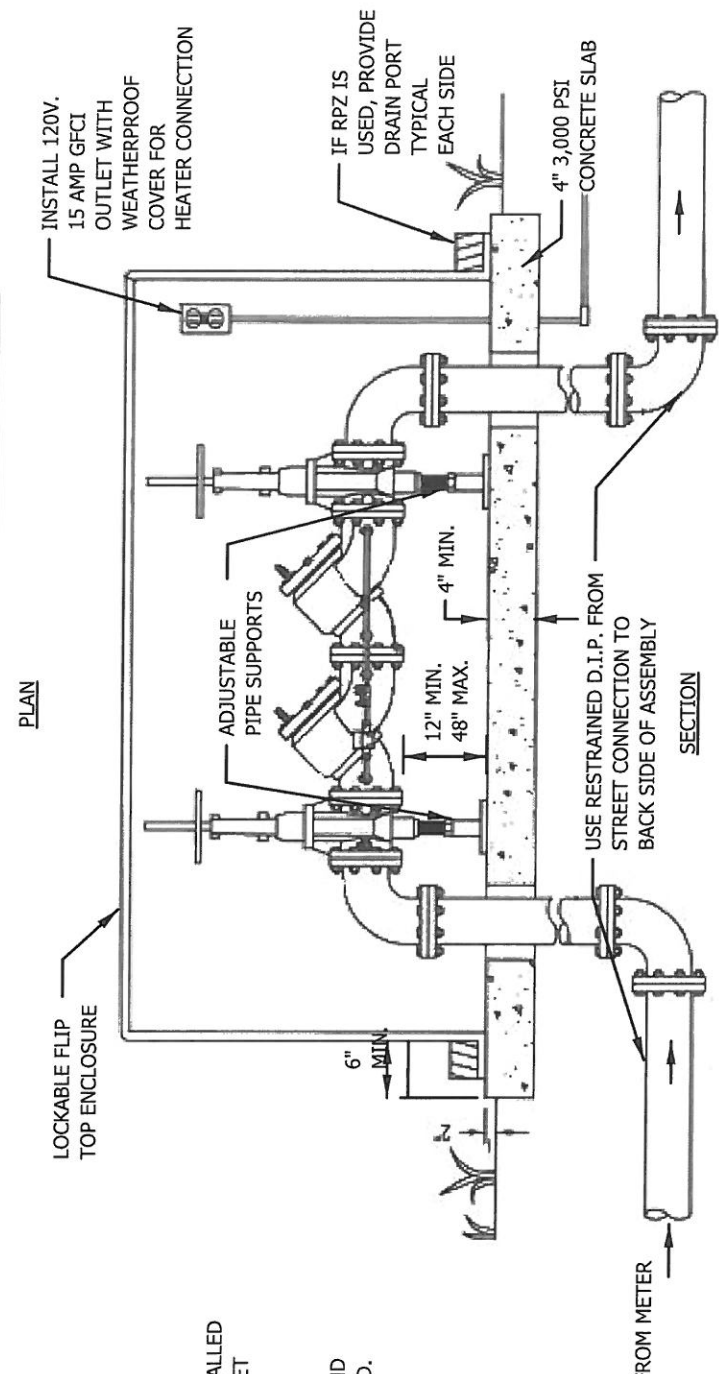
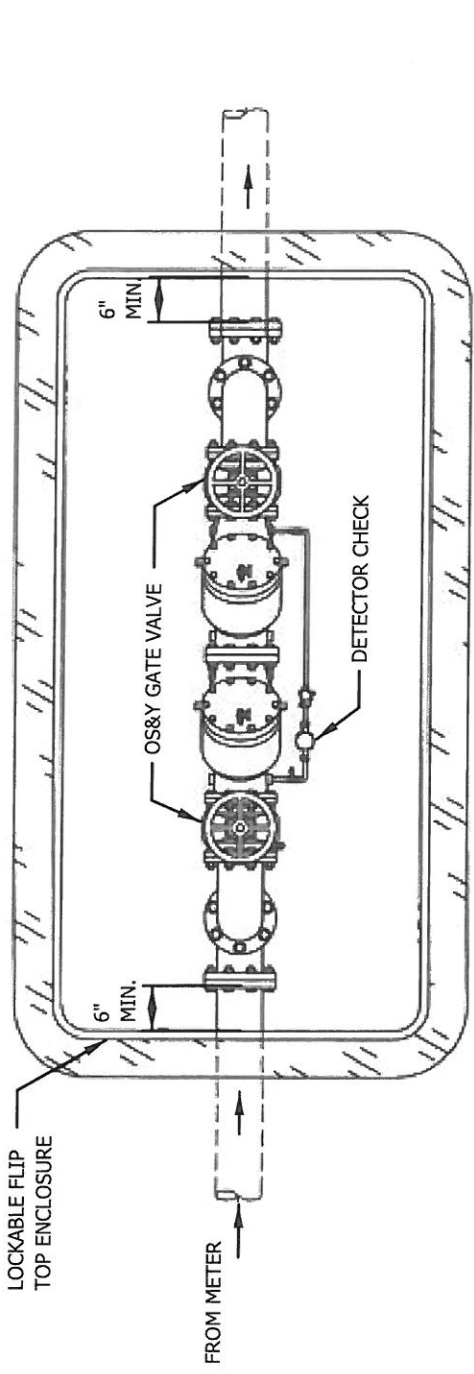
SECTION

- NOTES:
- 1) BASED ON DEGREE OF HAZARD USE EITHER A NO LEAD DOUBLE CHECK VALVE ASSEMBLY OR A NO LEAD REDUCED PRESSURE ZONE ASSEMBLY. SELECTED TYPE MUST BE APPROVED BY THE CITY.
  - 2) BACKFLOW PREVENTION ASSEMBLY SHALL BE INSTALLED ON THE CUSTOMERS' SIDE OF METER WITHIN 5 FEET OF THE METER BOX. ALTERNATE LOCATION MUST BE APPROVED BY THE CITY.
  - 3) MINIMUM INSULATE CLASS I OR CLASS II ASSE 1060 WEATHERPROOF ENCLOSURE REQUIRED. (HEATING OPTIONAL)
  - 4) SLOPE CONCRETE PAD TO DRAIN PORTS.
  - 5) PROPERTY OWNER SHALL BE RESPONSIBLE FOR MAINTENANCE AND OPERATION OF BACKFLOW ASSEMBLY AND COMPLIANCE WITH TESTING AND REPORTING REQUIREMENTS.
  - 6) CONCRETE SLAB 3,000 PSI @ 28 DAYS (CHECK ENCLOSURE SIZE FOR SLAB DIMENSIONS)

# STANDARD 1 1/2" - 2" BACKFLOW ASSEMBLY

DATE:	REVISIONS
DATE: 10-03-16	
SHEET 1 OF 1	
STD. No. W-2.05	

## STANDARD DETAIL



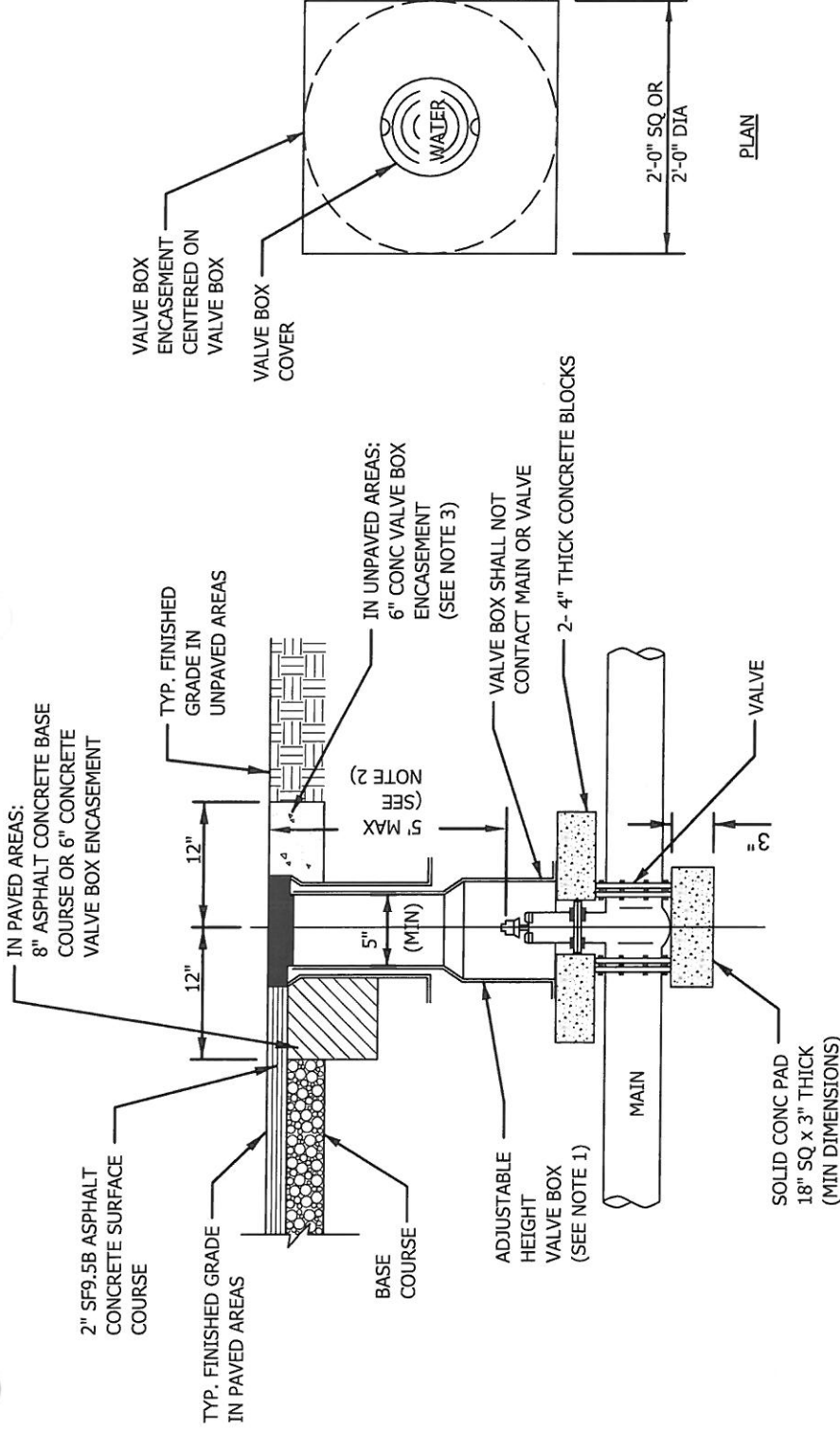
**NOTES:**

- 1) BASED ON DEGREE OF HAZARD USE EITHER A NO LEAD DOUBLE CHECK VALVE ASSEMBLY OR A NO LEAD REDUCED PRESSURE ZONE ASSEMBLY. SELECTED TYPE MUST BE APPROVED BY THE CITY.
- 2) BACKFLOW PREVENTION ASSEMBLY SHALL BE INSTALLED ON THE CUSTOMER'S SIDE OF METER WITHIN 5 FEET OF THE METER BOX. ALTERNATE LOCATION MUST BE APPROVED BY THE CITY.
- 3) MINIMUM INSULATE CLASS I ASSE 1060 HEATED AND INSULATED WEATHERPROOF ENCLOSURE REQUIRED.
- 4) SLOPE CONCRETE PAD TO DRAIN PORTS.
- 5) PROPERTY OWNER SHALL BE RESPONSIBLE FOR MAINTENANCE AND OPERATION OF BACKFLOW ASSEMBLY AND COMPLIANCE WITH TESTING AND REPORTING REQUIREMENTS.

# STANDARD 3" AND LARGER BACKFLOW ASSEMBLY

<b>DATE:</b>	<b>REVISIONS</b>
10-03-16	
<b>SHEET 1 OF 1</b>	
<b>STD. No. W-2.06</b>	

## STANDARD DETAIL



**SECTION**

**NOTES:**

- 1) DIP MAY BE USED FOR VALVE BOX EXTENSIONS.
- 2) WHERE DEPTH OF VALVE OPERATING NUT IS GREATER THAN 5", PROVIDE AND INSTALL EXTENSION STEM USING A MANUFACTURER APPROVED EXTENSION KIT. DEPTH OF EXTENDED OPERATING NUT SHALL BE NO GREATER THAN 2".
- 3) PRECAST CONCRETE ENCASMENT IS ALLOWED OUTSIDE OF PAVED AREAS.
- 4) VALVES LARGER THAN 12" MAY REQUIRE LARGER, THICKER CONCRETE SUPPORT PADS.

# VALVE BOX INSTALLATION STANDARD DETAIL

DATE: 10-03-16  
 SHEET 1 OF 1  
 STD. No. W-2.07

**DATE:**

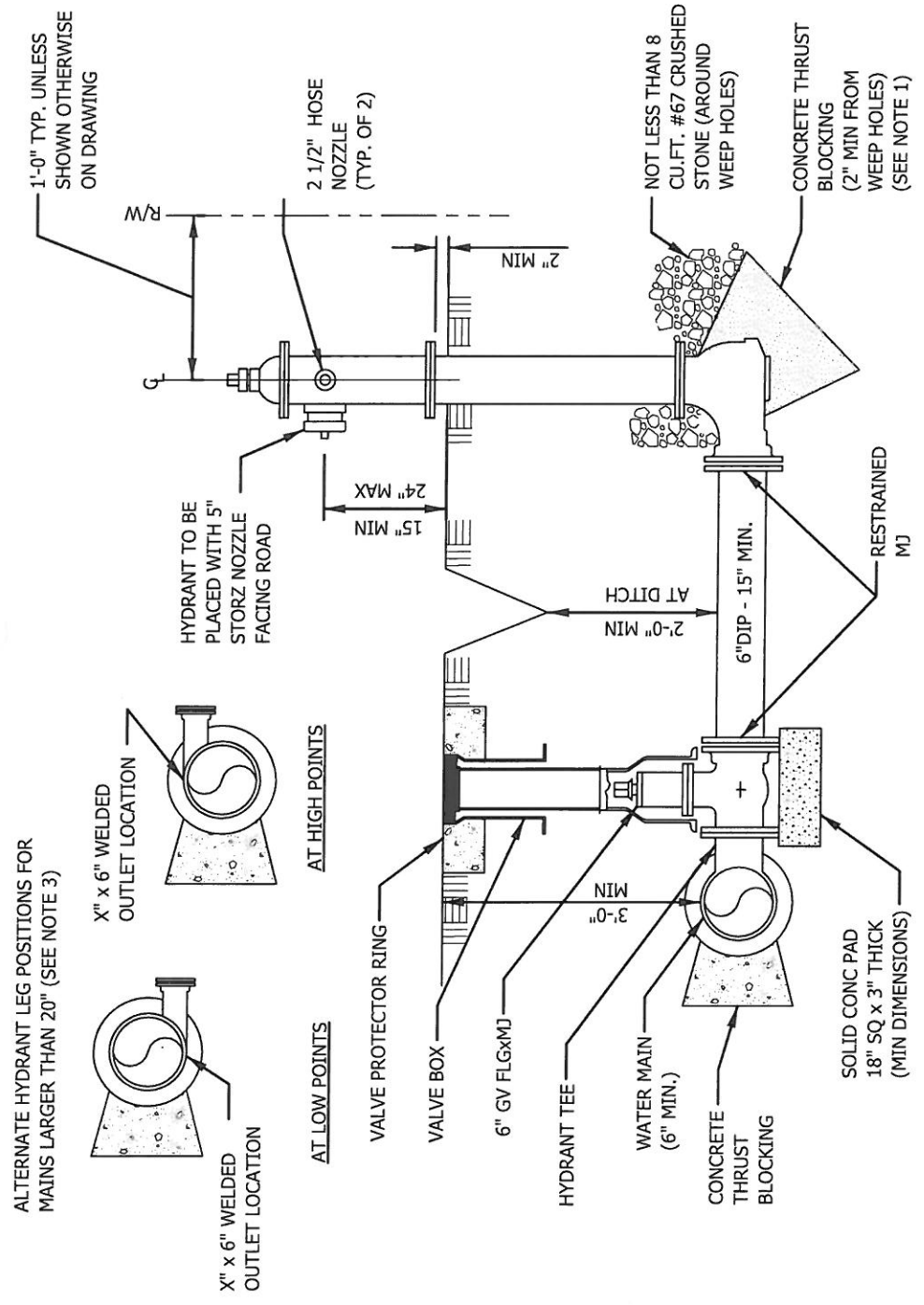
<b>REVISIONS</b>	



DATE: 10-03-16  
SHEET 1 OF 1  
STD. No. W-2.08

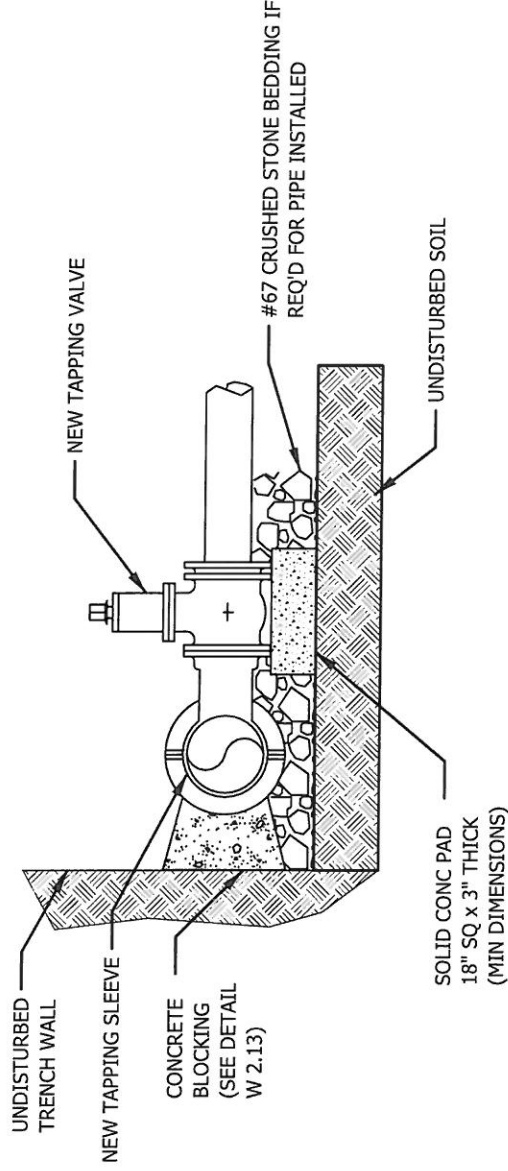
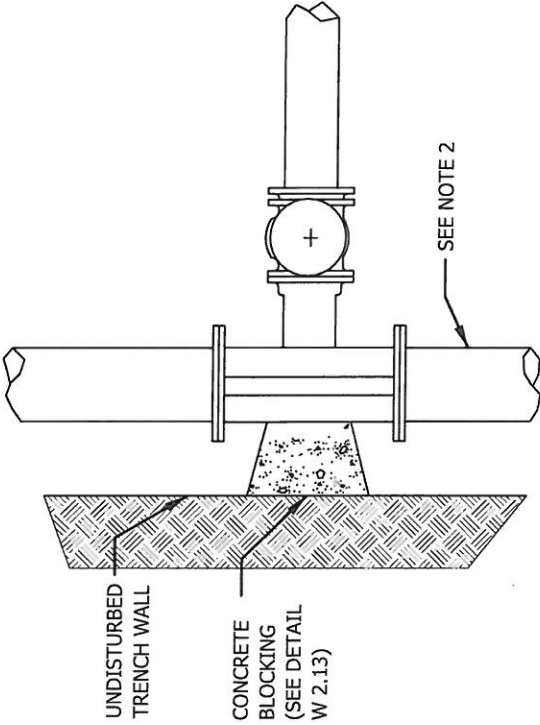
# FIRE HYDRANT ASSEMBLY STANDARD DETAIL

DATE: REVISIONS



NOTES:

- 1) POUR CONCRETE SO THAT NO FITTING OR FLANGES ARE COVERED.
- 2) HYDRANT STANDPIPE TO BE EXTENDED AS NECESSARY TO MATCH FIN GROUND ELEVATION.
- 3) AT LOCATIONS INDICATED ON PLANS FOR MAINS LARGER THAN 20", USE ALTERNATE HYDRANT LEG POSITION AS SHOWN ABOVE WITH WELDED OUTLETS IN LIEU OF TEES.



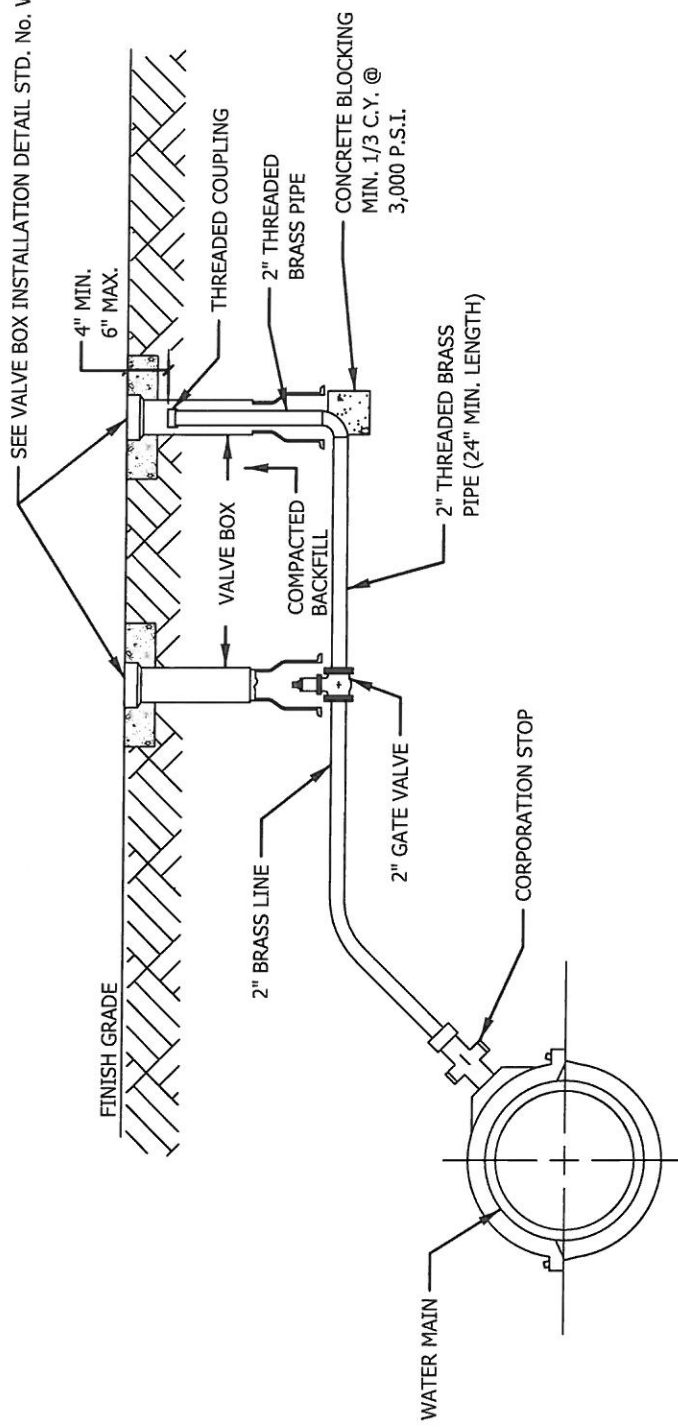
**NOTES:**

- 1) ALL FITTINGS SHALL BE COVERED WITH 10 MIL POLYETHYLENE SHEETS PRIOR TO POURING CONCRETE BLOCKING.
- 2) P.V.C. PIPES SHALL BE SUPPORTED EITHER SIDE OF SADDLE LOCATION WITH CONCRETE ENCASEMENT PRIOR TO INSTALLING SADDLE.
- 3) VALVES LARGER THAN 12" MAY REQUIRE LARGER, THICKER CONCRETE SUPPORT PADS.

# TAPPING SLEEVE AND VALVE

<b>DATE:</b>	10-03-16	<b>STANDARD DETAIL</b>
<b>REVISIONS</b>		
	SHEET 1 OF 1	STD. No. W-2.09

SEE VALVE BOX INSTALLATION DETAIL STD. No. W-2.07



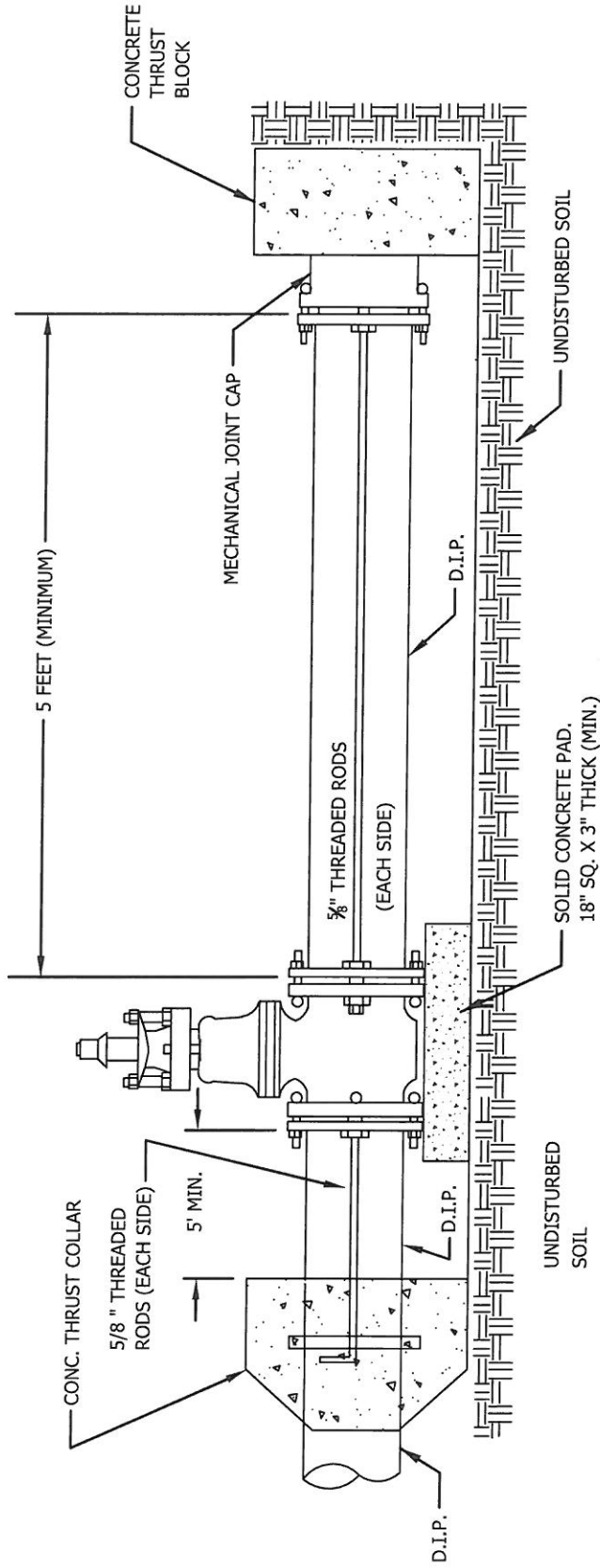
**NOTES:**

- 1) FOR DEADEND INSTALLATIONS USE A MECHANICAL JOINT TAPPED CAP, TAPPED FOR 2" NIPPLE, IN LIEU OF TAPPING MAIN. CAP SHALL BE PROPERLY INSTALLED WITH THRUST COLLAR.
- 2) BLOW-OFF ASSEMBLY FOR 2" MAINS ARE TO BE CONSTRUCTED AS A CONTINUATION OF THE MAIN WITHOUT THE SERVICE SADDLE AND WITHOUT THE CORPORATION STOP.
- 3) FOR 6" MAIN LINES AND LARGER, FIRE HYDRANT ASSEMBLY MAY BE USED AS A BLOW OFF.
- 4) IF REQUIRED AND APPROVED BY THE CITY.

## STANDARD 2" BLOW-OFF ASSEMBLY



<b>DATE:</b>	<b>REVISIONS</b>	<b>STANDARD DETAIL</b>
DATE: 10-03-16	SHEET 1 OF 1	STD. No. W-2.10



**NOTE:**

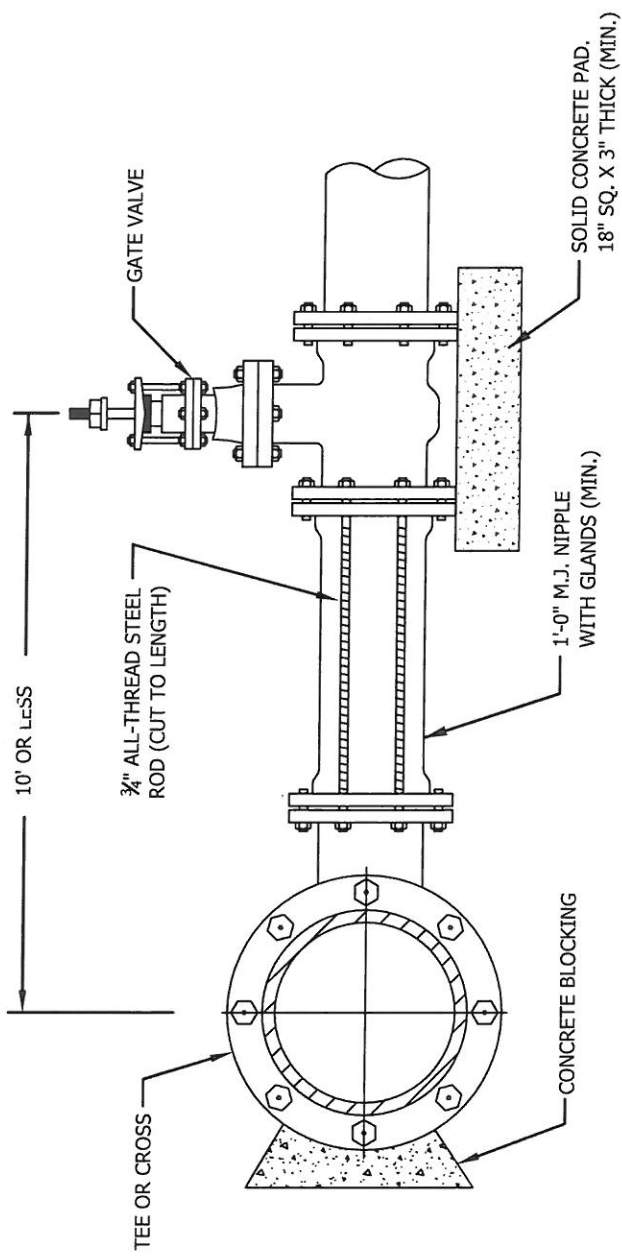
- 1) VALVES LARGER THAN 12" MAY REQUIRE LARGER, THICKER CONCRETE SUPPORT PADS.

# STANDARD TEMPORARY CAPPING

## STANDARD DETAIL

DATE:	REVISIONS	DATE: 10-03-16
		SHEET 1 OF 1
		STD. No. W-2.11





ROD REQUIREMENTS

BRANCH SIZE	NO. OF RODS
4"	2
6"	2
8"	4
12"	4
16"	6
24"	6

- NOTES:
- 1) ONCE INSTALLED AND TIGHT, THE STEEL RODS AND BOLTS SHALL BE COATED WITH 2 COATS OF BITUMINOUS BASE PAINT.
  - 2) SEE STANDARD THRUST BLOCK DETAIL STD. No. W-2.13
  - 3) CONCRETE SHALL NOT CONTACT BOLTS OR ENDS OF MECHANICAL FITTINGS.
  - 4) RESTRAINED JOINTS ARE ACCEPTABLE IN LIEU OF RODS.

# STANDARD VALVE RODDING

## STANDARD DETAIL

DATE: 10-03-16  
 SHEET 1 OF 1  
 STD. No. W-2.12

DATE: REVISIONS



# THRUST BLOCK FOR HORIZONTAL PIPE BENDS

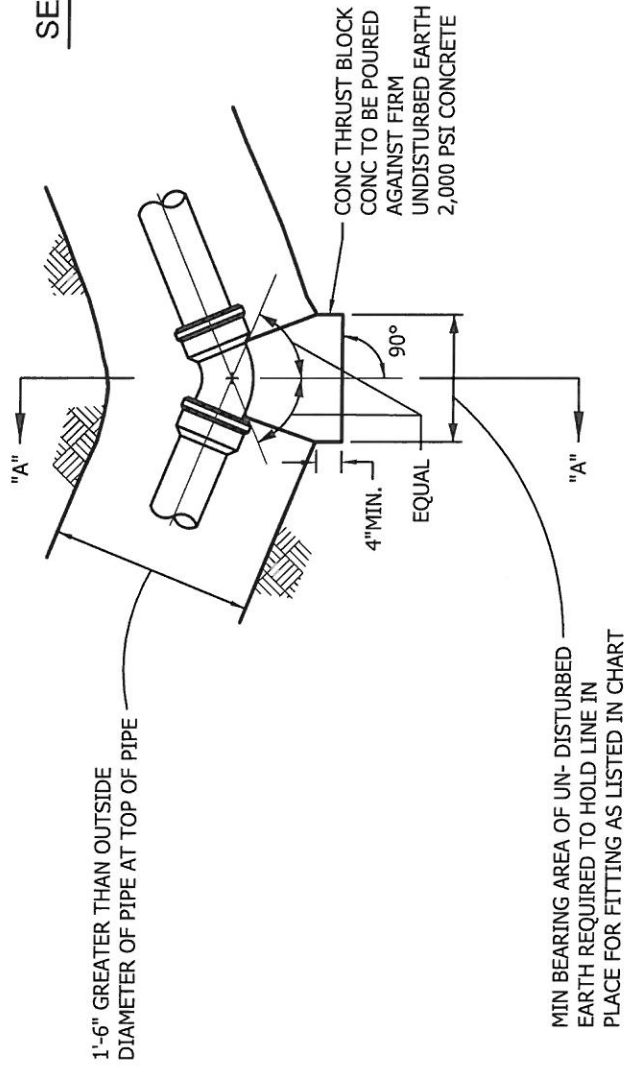
DATE: 10-03-16  
 SHEET 1 OF 1  
 STD. No. W-2.13

DATE:	REVISIONS

## STANDARD DETAIL

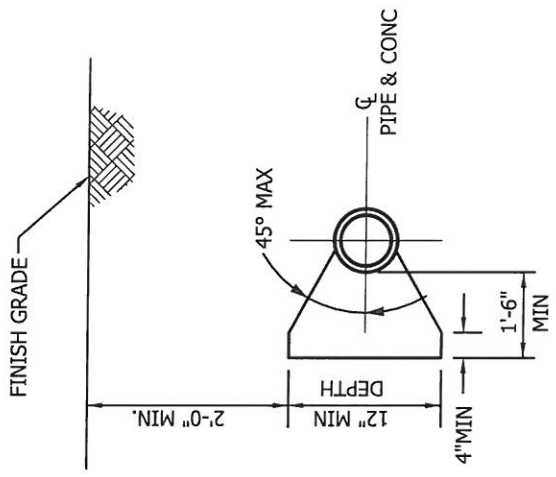
SQ. FT. BEARING AREA	
FITTING	4" 6" 8" 12" 16"
90° BEND	3 5 7 10 16
D.E. OR TEE	2 3 5 8 11
45° OR LESS	1 2 4 6 8

EXCAVATE AS NEARLY VERTICAL AS POSSIBLE  
 PROVIDE 4 MIL POLYETHYLENE  
 AROUND PIPE TO PREVENT  
 CONCRETE FROM BONDING TO PIPE



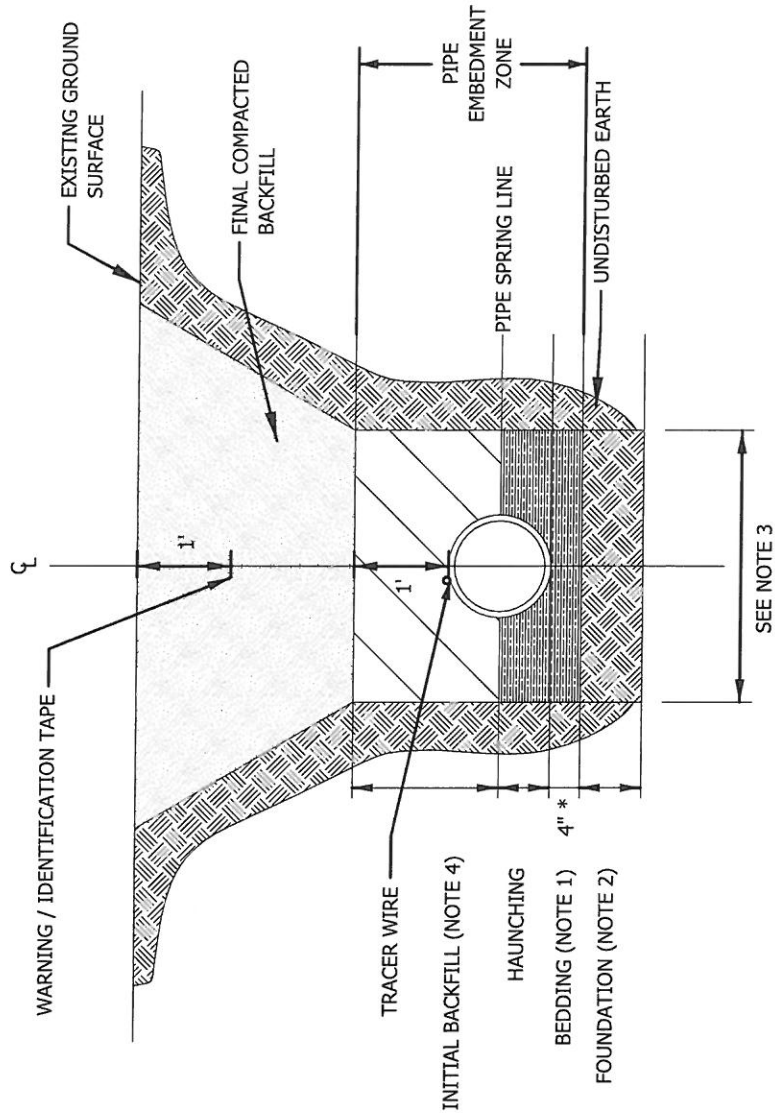
1'-6" GREATER THAN OUTSIDE  
 DIAMETER OF PIPE AT TOP OF PIPE

MIN BEARING AREA OF UN- DISTURBED  
 EARTH REQUIRED TO HOLD LINE IN  
 PLACE FOR FITTING AS LISTED IN CHART



### SECTION "A-A"

CONC THRUST BLOCK  
 CONC TO BE POURED  
 AGAINST FIRM  
 UNDISTURBED EARTH  
 2,000 PSI CONCRETE



\* 6" REQUIRED FOR PIPES GREATER THAN 30" IN DIAMETER

**NOTES:**

- 1) STONE BEDDING IS NOT REQUIRED IN SUITABLE CLASS I, CLASS II, AND CLASS III, SOILS. PROVIDE STONE BEDDING IN UNSTABLE CLASS IV OR CLASS V SOILS, RUNNING WATER OR OTHER UNSTABLE SOIL CONDITIONS IN BEDDING AND HAUNCH ZONE. BACKFILL WITH CLASS I, II, OR III MATERIAL IN INITIAL BACKFILL.
- 2) CLASS I FOUNDATION STONE SHALL BE REQUIRED WHEN SOIL CONDITIONS ARE UNSTABLE. UNDERCUT DEPTH AS DIRECTED BY CITY.
- 3) TRENCH WIDTH IS MINIMUM OF THE PIPE O.D. PLUS 18" AND MAXIMUM OF PIPE O.D. PLUS 24".
- 4) INITIAL BACKFILL SHALL BE PLACED AND COMPACTED IN 6" LIFTS. INITIAL BACKFILL SHALL CONTAIN NO MATERIAL OVER 1 1/2" IN DIAMETER, FROZEN LUMPS, OR DEBRIS.
- 5) BACKFILL SHALL BE COMPACTED IN ACCORDANCE WITH SPECIFICATIONS.

## WATER LINE BEDDING

# STANDARD DETAIL

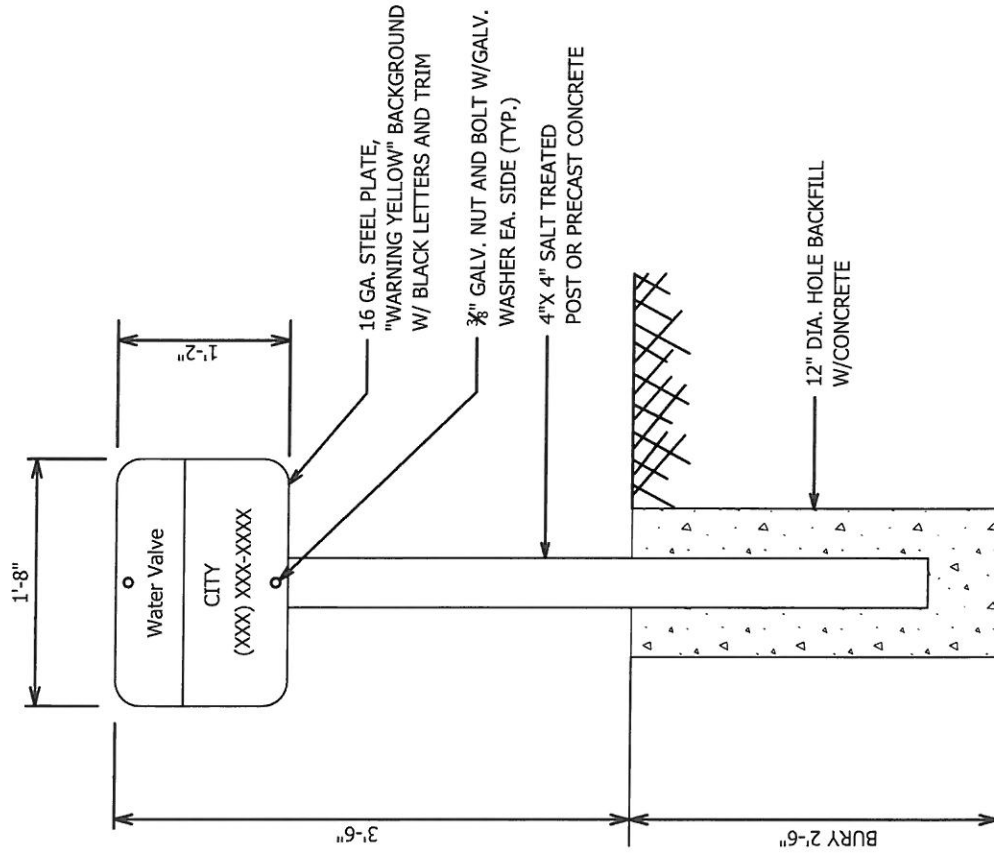
**DATE:** 10-03-16

**REVISIONS:**

SHEET 1 OF 1

STD. No. W-2.14





NOTE:  
 CONTRACTOR TO PROVIDE A SIGN FOR EACH GATE VALVE ALONG THE WATER LINE. LOCATION SHALL BE 6" WITHIN N.C.D.O.T. OR PERMANENT EASEMENT LIMITS FACING THE VALVE, OR AS DIRECTED BY THE CITY.



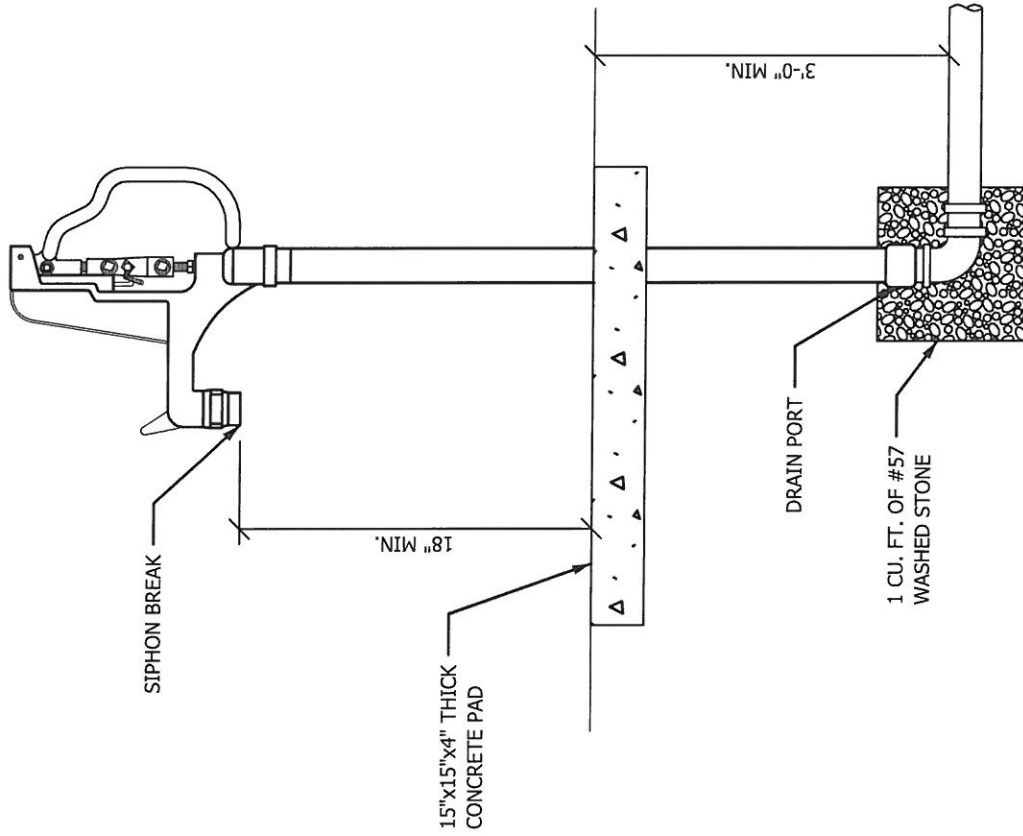
## VALVE SIGN

# STANDARD DETAIL

DATE: 10-03-16  
 SHEET 1 OF 1  
 STD. No. W-2.15

REVISIONS

DATE:



NOTES:

- 1) HOSE BIBB SHALL ACCOMMODATE STD. 3/4" GARDEN HOSE.
- 2) YARD HYDRANT SHALL BE NON-FREEZE TYPE.
- 3) FOR USE IN DUPLEX PUMP STATIONS, OR AS APPROVED BY THE CITY.

## YARD HYDRANT

DATE: 10-03-16

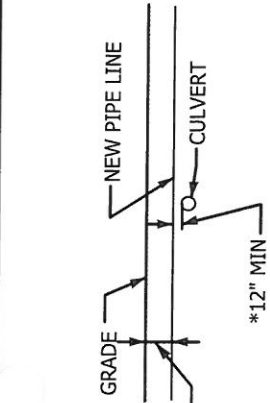
SHEET 1 OF 1



STD. No. W-2.16

# STANDARD DETAIL

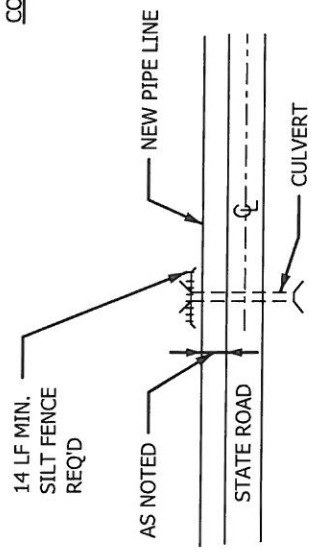
REVISIONS

PROFILE

\*18" MIN FOR CROSSING OF SANITARY SEWER PIPE LINE OVER CULVERT

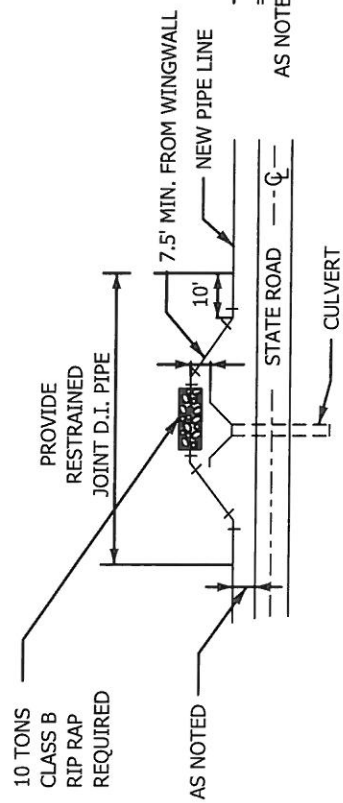
CONDITION 1



PROFILE

\*18" MIN FOR CROSSING OF SANITARY SEWER PIPE LINE UNDER CULVERT

CONDITION 2



PROFILE

R.J.D.I. PIPE LINE AROUND END OF CULVERT

CONDITION 3

# INSTALLATION OF PIPE LINE AT CULVERT DETAIL

DATE:	REVISIONS
DATE: 10-03-16	
SHEET 1 OF 1	
STD. No. W-2.17	

## STANDARD DETAIL



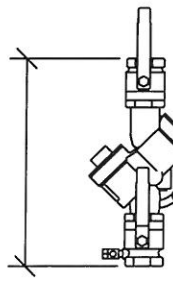
# 1" RPZ OR DOUBLE CHECK BACKFLOW ASSEMBLY

DATE:	10-03-16
SHEET	1 OF 1
STD. No.	W-2.18

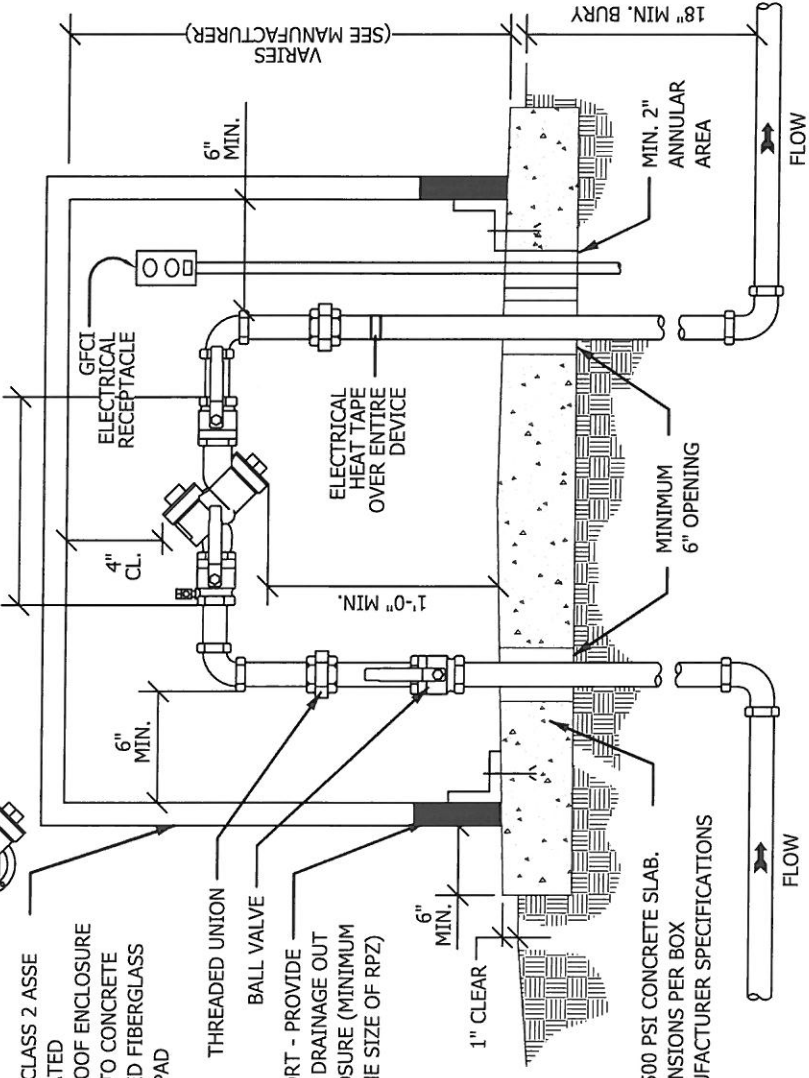
## STANDARD DETAIL

DATE:	
REVISIONS	

VARIES (SEE MANUFACTURER)  
REDUCED PRESSURE PRINCIPLE  
BACKFLOW ASSEMBLY



VARIES (SEE MANUFACTURER)  
DOUBLE CHECK  
VALVE ASSEMBLY



CLASS 1 OR CLASS 2 ASSE  
1060 INSULATED  
WEATHERPROOF ENCLOSURE  
ANCHORED TO CONCRETE  
OR APPROVED FIBERGLASS  
MOUNTING PAD

THREADED UNION  
BALL VALVE  
DRAIN PORT - PROVIDE  
POSITIVE DRAINAGE OUT  
OF ENCLOSURE (MINIMUM  
TWICE THE SIZE OF RPZ)

ELECTRICAL  
HEAT TAPE  
OVER ENTIRE  
DEVICE

4" 3,500 PSI CONCRETE SLAB.  
DIMENSIONS PER BOX  
MANUFACTURER SPECIFICATIONS

MIN. 2" ANNULAR  
AREA

MINIMUM  
6" OPENING

FLOW

FLOW

NOTES:

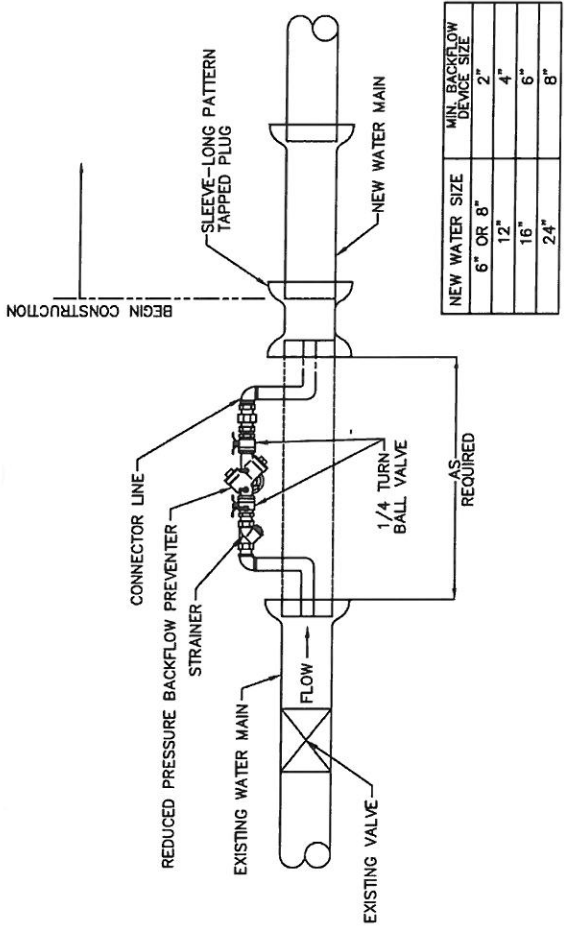
- 1) REDUCED PRESSURE PRINCIPLE BACKFLOW PREVENTION ASSEMBLY SHALL COMPLY WITH ASSE 1013 & AWWA C511.
- 2) DOUBLE CHECK BACKFLOW PREVENTION ASSEMBLY SHALL COMPLY WITH ASSE 1015 & AWWA C510.
- 3) BACKFLOW PREVENTION ASSEMBLY SHALL BE INSTALLED WITHIN 5-FT OF THE METER BOX.
- 4) BACKFLOW PREVENTION ASSEMBLY SHALL BE CENTERED ON CONCRETE OR APPROVED FIBERGLASS MOUNTING PAD AND CENTERED WITHIN ENCLOSURE.
- 5) MINIMUM INSULATED CLASS I OR CLASS II, ASSE 1060 WEATHERPROOF ENCLOSURE REQUIRED WITH HEATING.
- 6) 120V GFCI ELECTRICAL RECEPTACLE TO BE INSTALLED IN ACCORDANCE WITH THE NC ELECTRICAL CODE FOR OUTDOOR OPERATION.
- 7) PIPE MATERIAL SHALL BE PVC (SCH. 80 OR BETTER), COPPER (TYPE K) OR BRASS (ASTM B43).
- 8) INSTALLATION SHALL BE IN COMPLIANCE WITH ALL APPLICABLE CITY ORDINANCES AND SPECIFICATIONS IN ADDITION TO THE NC PLUMBING CODE.



# BACKFLOW PREVENTION DEVICE FOR FILLING NEW MAINS

DATE: 10-03-16  
 SHEET 1 OF 1  
 STD. No. W-2.19

## STANDARD DETAIL



BACKFLOW PREVENTION DEVICE FOR FILLING MAINS

**NOTES:**

- 1) INSTALL FROM EXISTING BLOW OFF ASSEMBLY TO NEW MAIN FOR FILLING, TESTING AND STERILIZING NEW MAIN.
- 2) BACKFLOW PREVENTION DEVICE SHALL BE OPERATED INDEPENDENT OF EXISTING MAIN.
- 3) BLOCKING ON EXISTING LINE IS NOT TO BE DISTURBED.
- 4) DEVICE SHALL BE A MINIMUM OF 12 INCHES ABOVE EXISTING GROUND.
- 5) FINAL CONNECTION TO EXISTING MAIN TO BE MADE ONLY AFTER TOTAL PROJECT IS ACCEPTED BY THE CITY.
- 6) VALVES ON EXISTING SYSTEM TO BE OPERATED BY THE CITY FORCES ONLY.
- 7) ONLY ONE CONNECTION WILL BE ALLOWED BETWEEN EXISTING SYSTEM AND THE NEW CONSTRUCTION UNTIL TESTING AND DISINFECTION ARE COMPLETE.
- 8) REDUCE PRESSURE ZONE ASSEMBLIES (RP) MUST CONFORM TO CITY'S BACKFLOW ORDANCE.
- 9) ALL LOCATIONS FOR BPA'S REQUIRE APPROVAL OF THE DIRECTOR OF UTILITIES AND MUST BE ON THE PROPERTY OWNER'S SIDE OF THE METER AND OUTSIDE OF THE RIGHT-OF-WAY.
- 10) EACH BPA IS REQUIRED TO BE TESTED BY AN APPROVED CERTIFIED TESTER PRIOR TO PLACING THE WATER SYSTEM IN SERVICE.

**REVISIONS**

DATE:	